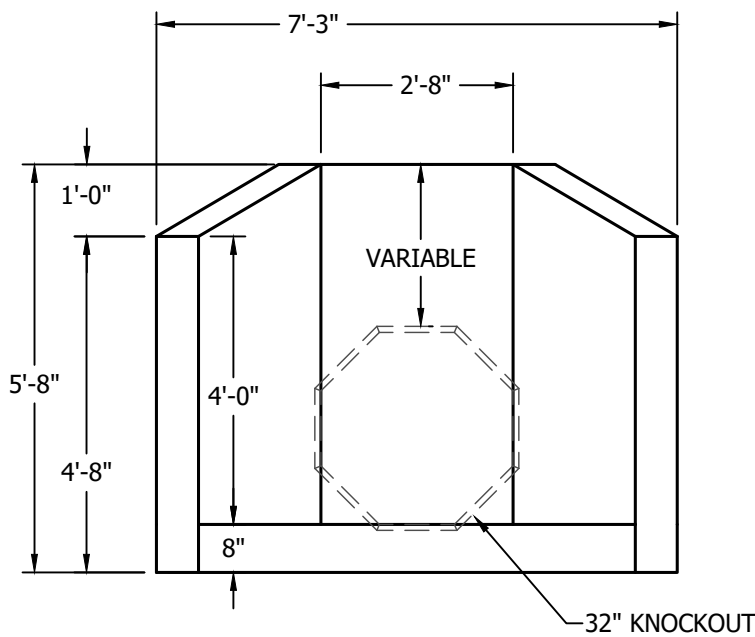
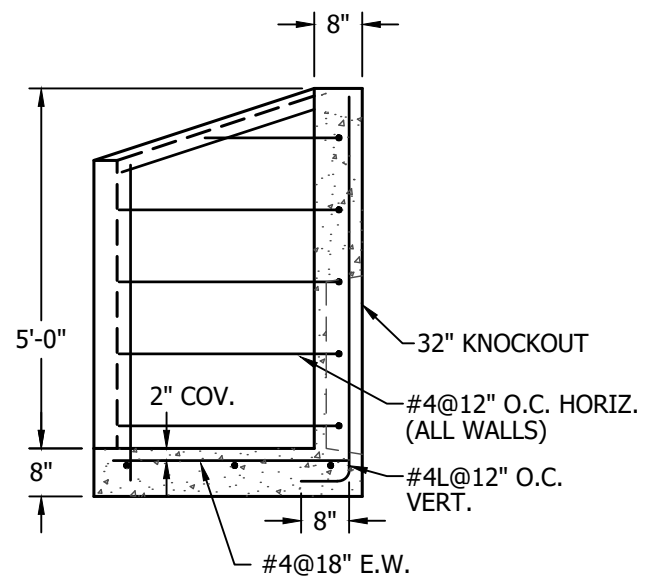


**PLAN**  
N.T.S.



**FRONT VIEW**  
N.T.S.



**SECTION A-A**  
N.T.S.

**GENERAL NOTES:**

1. DESIGN IS IN ACCORDANCE WITH AASHTO STANDARD SPECIFICATIONS.
2. GEOTECHNICAL DESIGN DATA
  - 2.1 RETAINED SOIL FRICTION ANGLE 32°.
  - 2.2 FOUNDATION SOIL FRICTION ANGLE 32°.
  - 2.3 SOIL DENSITY: 120 pcf
  - 2.4 ALLOWABLE SERVICE LOAD BEARING PRESSURE: 3,000psf
  - 2.5 COEFFICIENT OF SLIDING FRICTION: 0.5
3. CONCRETE STRENGTH.  $f_c = 5,000\text{psi}$  @ 28 DAYS.
4. REINFORCING STEEL - ASTM A615, GRADE 60.
5. MATERIALS AND MANUFACTURING SHALL CONFORM TO AASHTO STANDARDS.
6. LIFTING AND HANDLING SHALL CONFORM TO OSHA STANDARDS.

**WEIGHT**  
**7,000 POUNDS**

	7 Ruscitti Road New Windsor, New York, 12553 www.arconcrete.com 845-562-0640
<b>5 FT. CONCRETE HEADWALL W/ 32" KNOCKOUT STOCK</b>	DATE: 3/31/2021 REV.: 11/20/2023 DWN.BY: A&R LLC
CONTRACTOR: <b>A&amp;R CONCRETE PRODUCTS</b>	DWG. NO.: <b>AR-STOCK5FT</b>