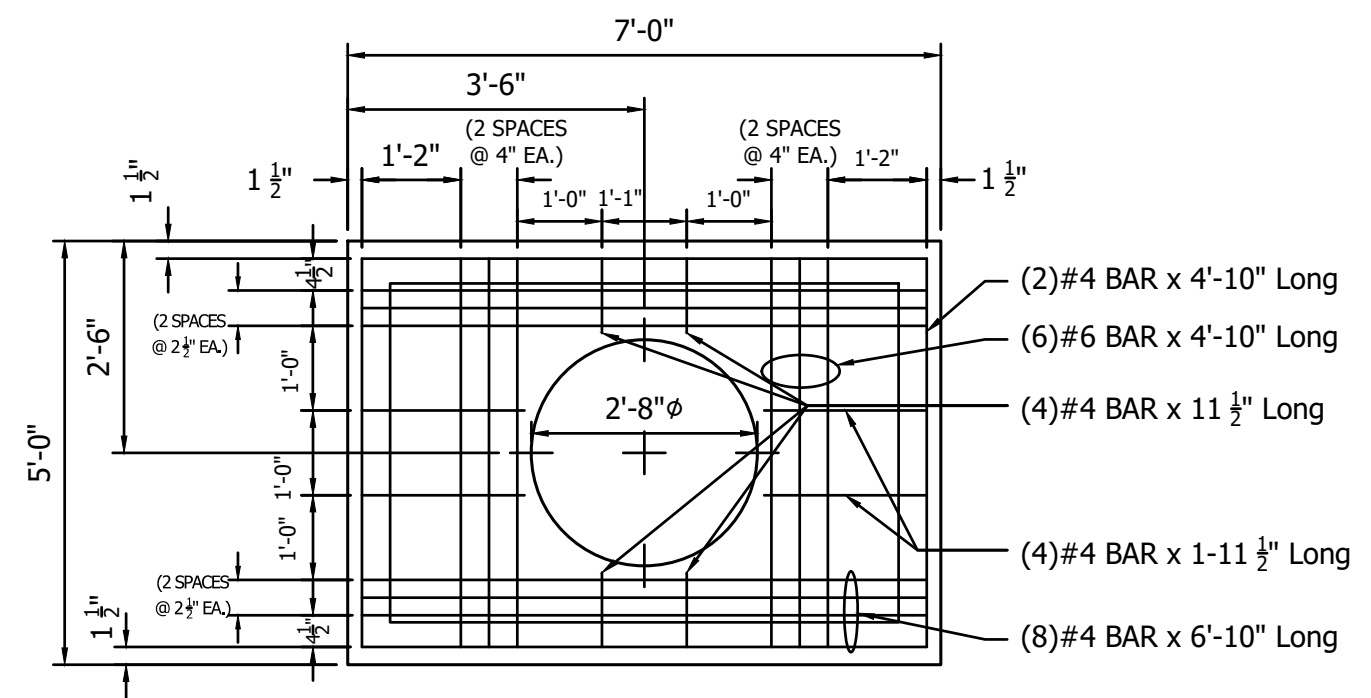
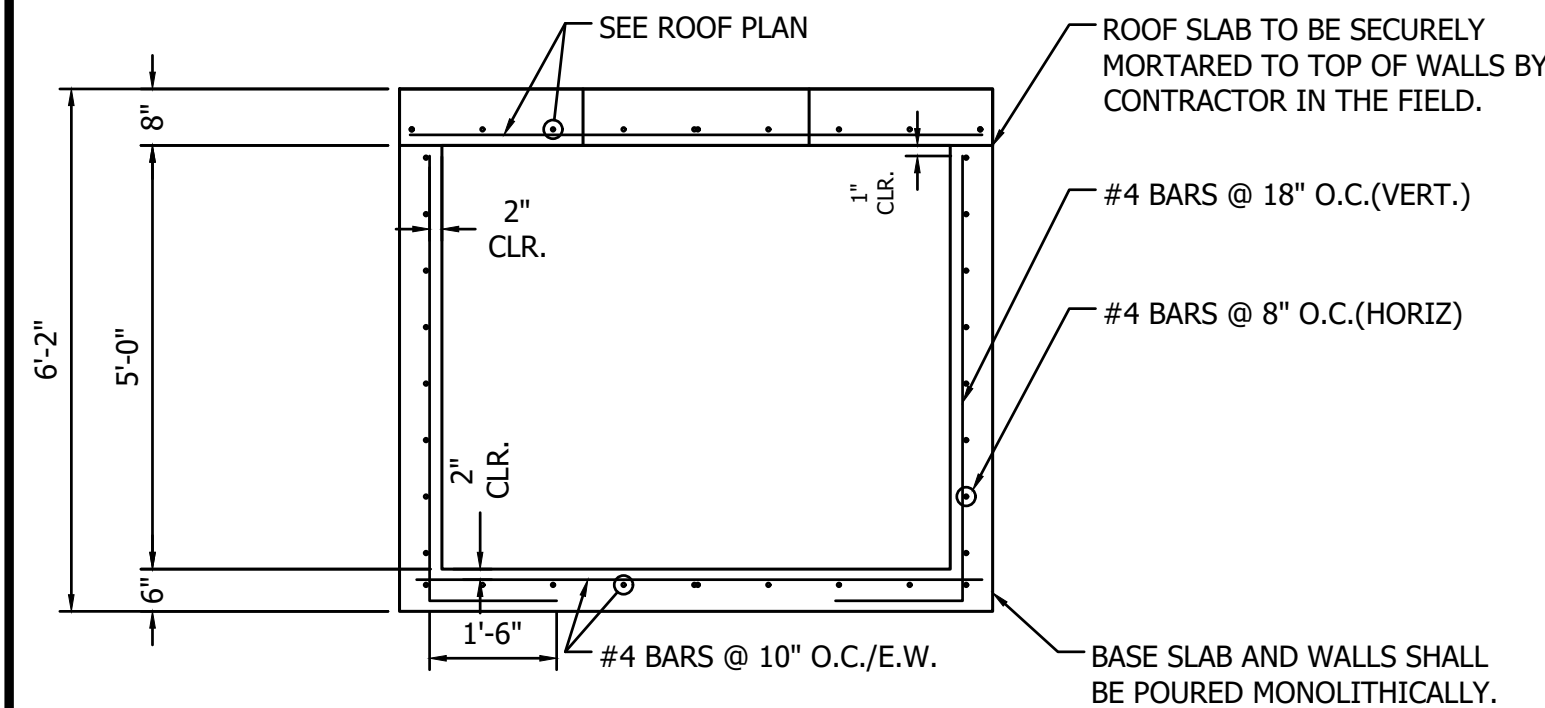


PLAN VIEW



ROOF PLAN



SECTION A-A

GENERAL NOTES:

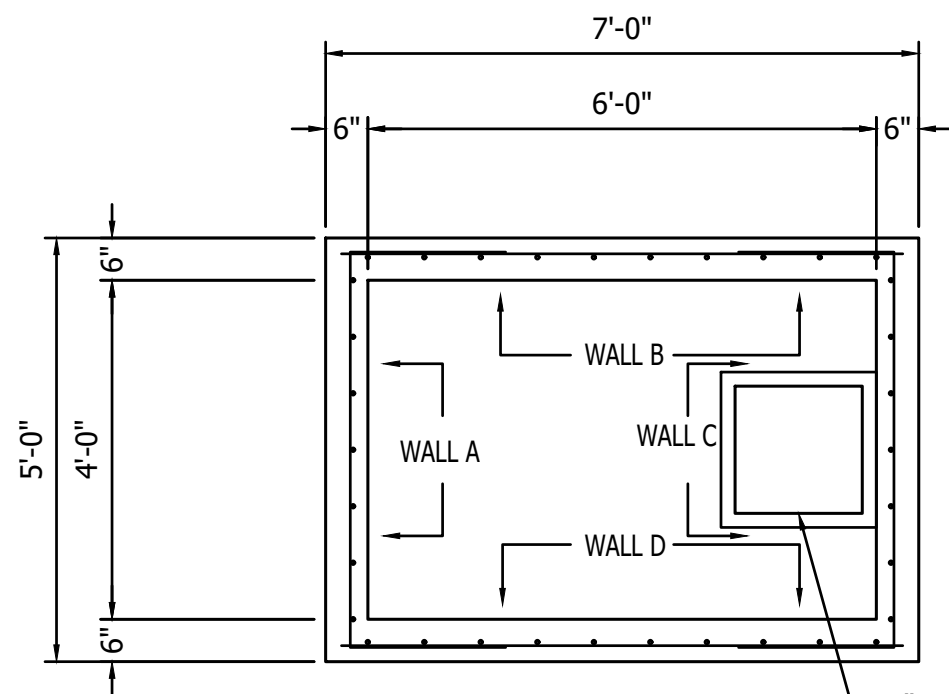
- 1) CONCRETE TO TEST 4,000 PSI AT 28 DAYS.
- 2) REINFORCING STEEL PER ASTM A185 FOR WELDED WIRE FABRIC (W.W.F.). REINFORCING STEEL PER ASTM A615, GRADE 60 - BLACK BARS. ALL REINFORCING WILL BE UNCOATED BLACK BARS.
- 3) OVERSIZED HOLES PROVIDED AT PIPE LOCATIONS. CONTRACTOR TO SECURELY MORTAR PIPES INTO PLACE IN THE FIELD.
- 4) FRAME & GRATE TO BE SUPPLIED BY OTHERS AND SECURELY MORTARED INTO PLACE BY CONTRACTOR IN THE FIELD.



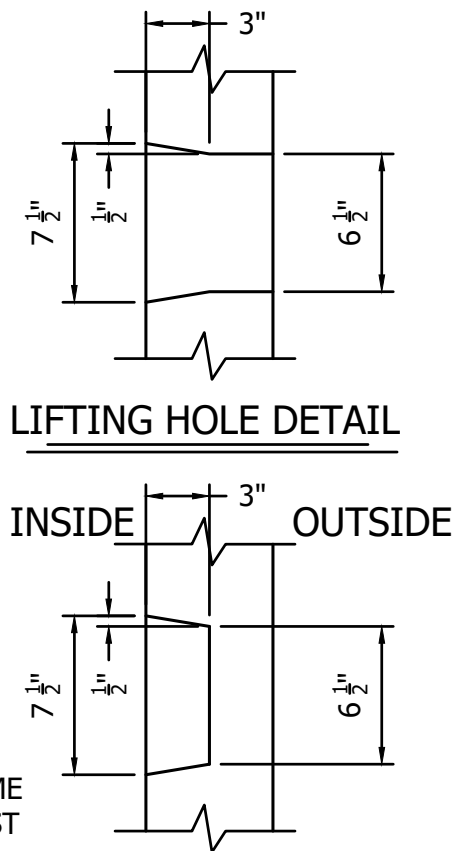
7 Ruscitti Road
 New Windsor, New York, 12553
 www.arconcrete.com
 845-562-0640

A&R STANDARD PRODUCT
 PRECAST CONCRETE DISTRIBUTION BOX DB-6
 (REINFORCING DRAWING)

DATE:	6/8/2020
REV.:	12/23/2022
DWN.BY:	A&R LLC
DWG. NO.:	CONEDDB6CP



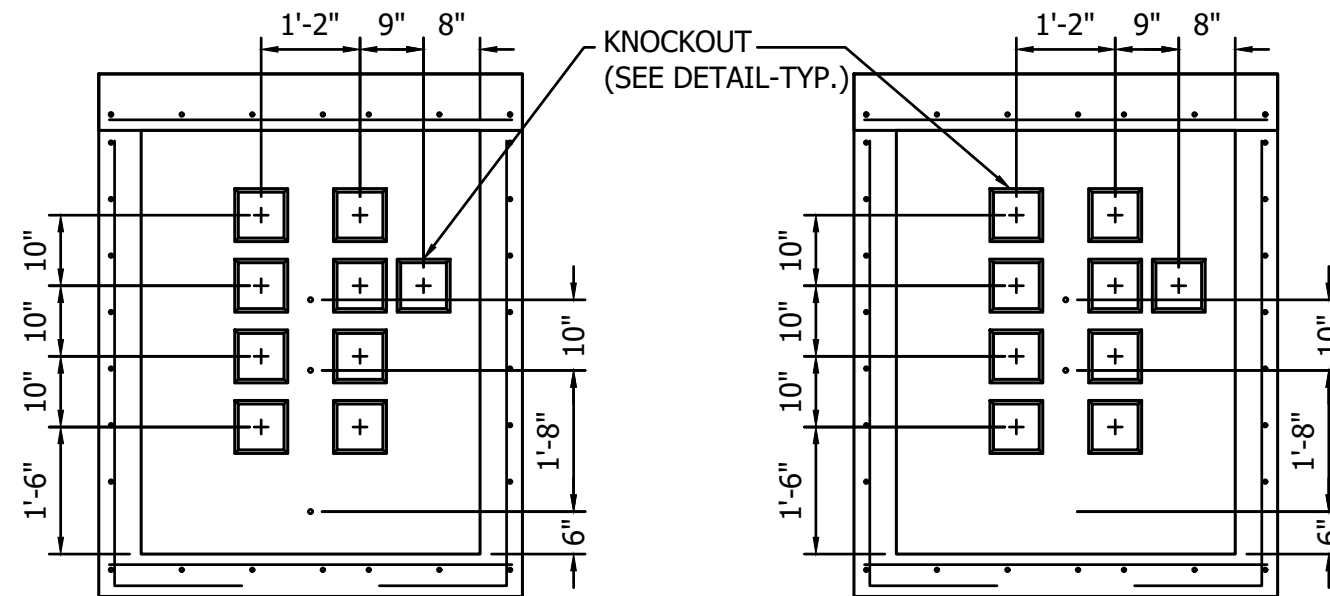
PLAN VIEW



LIFTING HOLE DETAIL

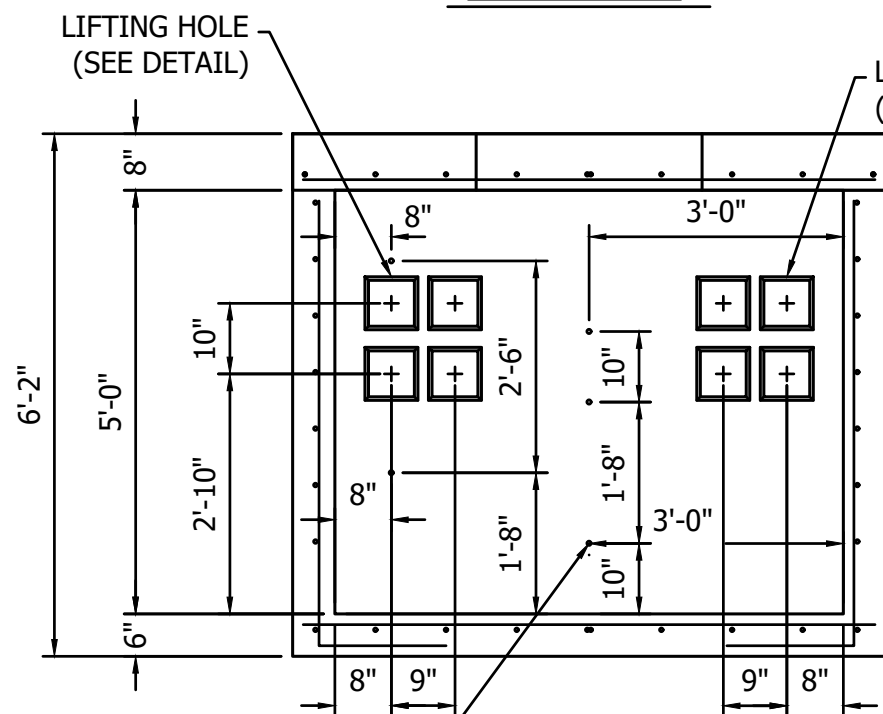
INSIDE 3" OUTSIDE

TYP. KNOCKOUT RECESS

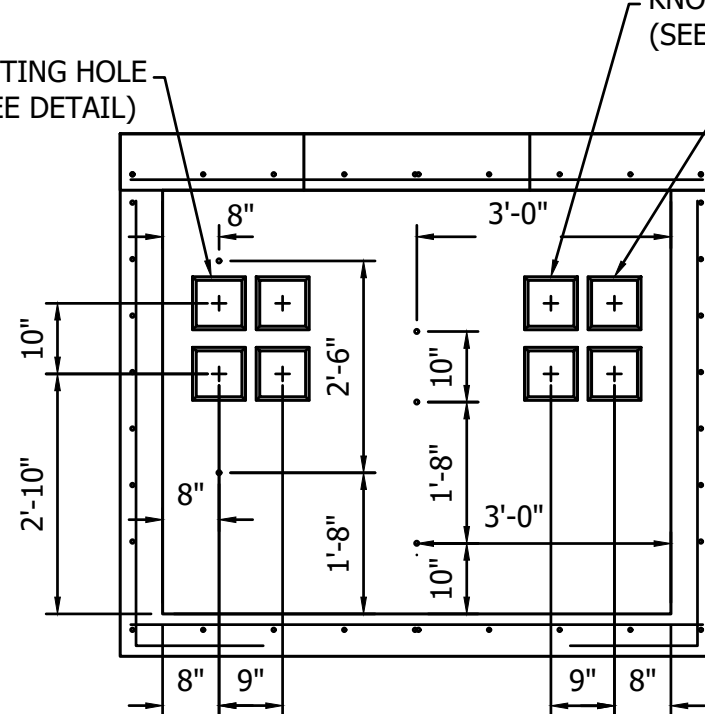


WALL A ELEVATION VIEW

WALL A ELEVATION VIEW



WALL B ELEVATION VIEW



WALL D ELEVATION VIEW

GENERAL NOTES:

- 1) CONCRETE TO TEST 4,000 PSI AT 28 DAYS.
- 2) REINFORCING STEEL PER ASTM A185 FOR WELDED WIRE FABRIC (W.W.F.). REINFORCING STEEL PER ASTM A615, GRADE 60 - BLACK BARS. ALL REINFORCING WILL BE UNCOATED BLACK BARS.
- 3) OVERSIZED HOLES PROVIDED AT PIPE LOCATIONS. CONTRACTOR TO SECURELY MORTAR PIPES INTO PLACE IN THE FIELD.
- 4) FRAME & GRATE TO BE SUPPLIED BY OTHERS AND SECURELY MORTARED INTO PLACE BY CONTRACTOR IN THE FIELD.



7 Ruscitti Road
New Windsor, New York, 12553
www.arconcrete.com
845-562-0640

A&R STANDARD PRODUCT
PRECAST CONCRETE DISTRIBUTION BOX DB-6
(LAYOUT DRAWING)

DATE:	6/8/2020
REV.:	12/23/2022
DWN.BY:	A&R LLC
DWG. NO.:	CONEDDB6CP