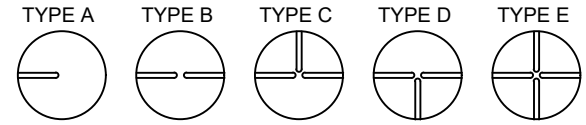
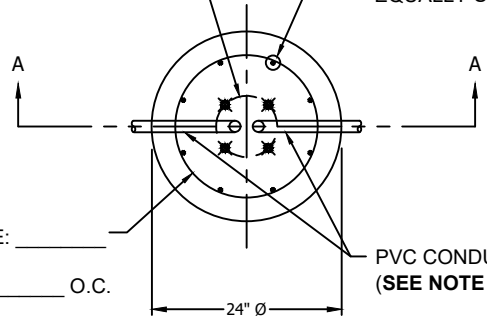


TOTAL UNITS REQUIRED: \_\_\_\_\_

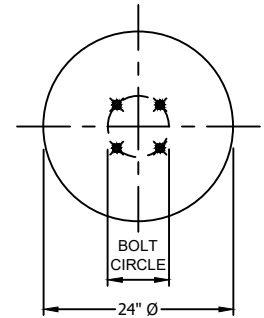
**\* SEE NOTE 3**



BOLT CIRCLE (AS REQUIRED) \_\_\_\_\_ REBAR SIZE: \_\_\_\_\_ QTY: \_\_\_\_\_  
EQUALLY SPACED



PLAN VIEW  
NTS



BOLT CIRCLE PLAN VIEW  
NTS

CONTRACTOR NOTE:

CONTRACTOR TO PROVIDE NUMBER OF EACH POLE BASE LAYOUT REQUIRED FOR ORDER. (PLEASE USE ABOVE SCHEMATIC)

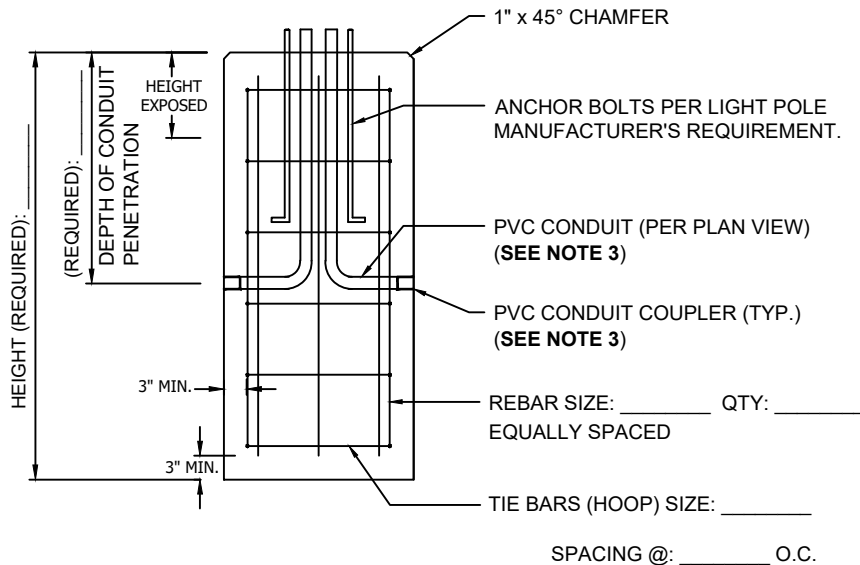
| *POLE BASE INFO TABLE    |  |
|--------------------------|--|
| PVC CONDUIT SIZE:        |  |
| ANCHOR BOLT SIZE:        |  |
| BOLT CIRCLE FOR ANCHORS: |  |
| BOLT/CONDUIT PROJECTION: |  |

\*NOTE: TABLE MUST BE COMPLETED PRIOR TO PRODUCTION RELEASE.

GENERAL NOTES:

- 1) CONCRETE TO TEST 4,000 PSI AT 28 DAYS.
- 2) REINFORCING STEEL PER ASTM A615, GRADE 60, UNCOATED BLACK BARS.
- 3) IF SUPPLIED BY CONTRACTOR, ANCHOR BOLTS, BOLT TEMPLATE AND/OR **UNASSEMBLED** CONDUIT TO BE DELIVERED TO A&R PRIOR TO FABRICATION. STRUCTURES WILL NOT BE SCHEDULED FOR PRODUCTION UNTIL ALL COMPONENTS ARE AT A&R PLANT.

CONTRACTOR NOTES/COMMENTS:



SECTION A-A  
NTS

A&R JOB #: \_\_\_\_\_

NOTE: This form is also a cut sheet. By signing below, contractor approves release for production.

X \_\_\_\_\_

CONTACT: \_\_\_\_\_

PHONE: \_\_\_\_\_

|                   |  |
|-------------------|--|
|                   | 276 Clove Road<br>Salisbury Mills, New York, 12577<br>www.arconcrete.com<br>845-562-0640 |
|                   | PRECAST CONCRETE LIGHT POLE BASE<br>24"Ø   |
| CONTRACTOR: _____ | DATE: _____<br>REV.: _____<br>DWN. BY: A&R LLC<br>DWG. NO.: LPB24                        |