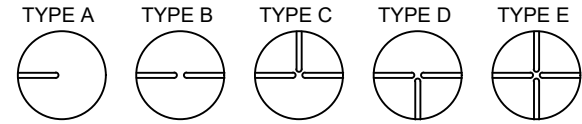
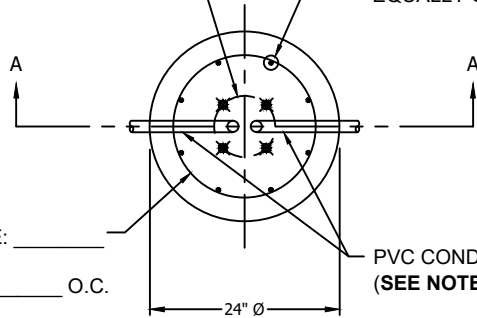


TOTAL UNITS REQUIRED: _____

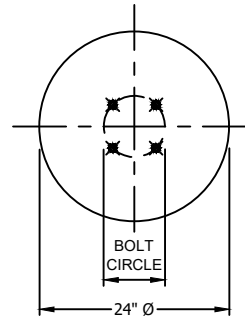
*** SEE NOTE 3**



BOLT CIRCLE (AS REQUIRED) _____ REBAR SIZE: _____ QTY: _____
EQUALLY SPACED



PLAN VIEW
NTS



BOLT CIRCLE PLAN VIEW
NTS

CONTRACTOR NOTE:

CONTRACTOR TO PROVIDE NUMBER OF EACH POLE BASE LAYOUT REQUIRED FOR ORDER. (PLEASE USE ABOVE SCHEMATIC)

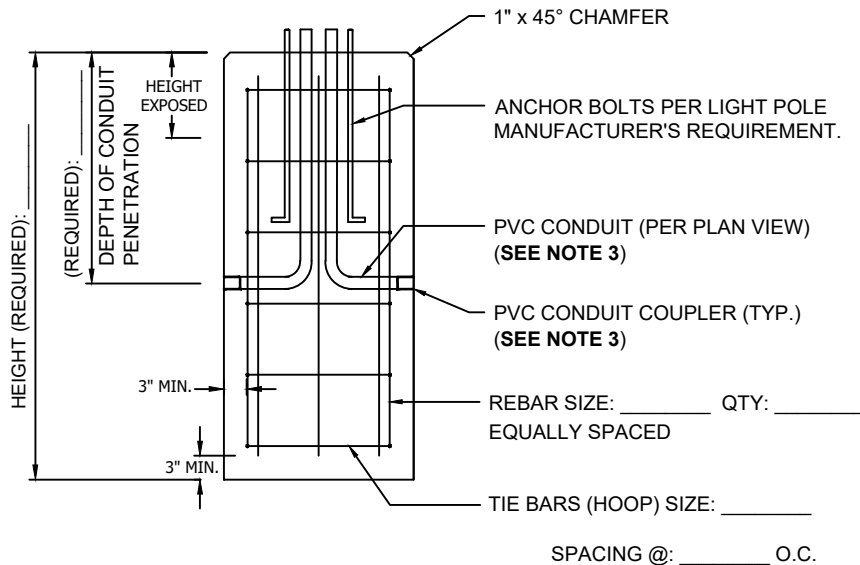
*POLE BASE INFO TABLE	
PVC CONDUIT SIZE:	
ANCHOR BOLT SIZE:	
BOLT CIRCLE FOR ANCHORS:	
BOLT/CONDUIT PROJECTION:	

*NOTE: TABLE MUST BE COMPLETED PRIOR TO PRODUCTION RELEASE.

GENERAL NOTES:

- 1) CONCRETE TO TEST 4,000 PSI AT 28 DAYS.
- 2) REINFORCING STEEL PER ASTM A615, GRADE 60, UNCOATED BLACK BARS.
- 3) IF SUPPLIED BY CONTRACTOR, ANCHOR BOLTS, BOLT TEMPLATE AND/OR **UNASSEMBLED** CONDUIT TO BE DELIVERED TO A&R PRIOR TO FABRICATION. STRUCTURES WILL NOT BE SCHEDULED FOR PRODUCTION UNTIL ALL COMPONENTS ARE AT A&R PLANT.

CONTRACTOR NOTES/COMMENTS:



SECTION A-A
NTS

A&R JOB #: _____

NOTE: This form is also a cut sheet. By signing below, contractor approves release for production.

X _____

CONTACT: _____

PHONE: _____

	276 Clove Road Salisbury Mills, New York, 12577 www.arconcrete.com 845-562-0640	DATE:
	PRECAST CONCRETE LIGHT POLE BASE 24"Ø	REV.:
CONTRACTOR:		DWN.BY: A&R LLC
		DWG. NO.: LPB24