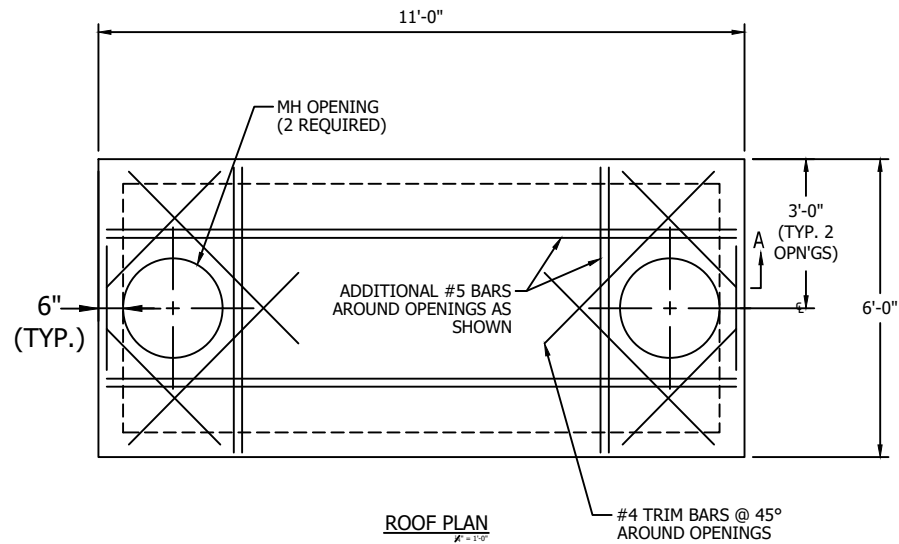
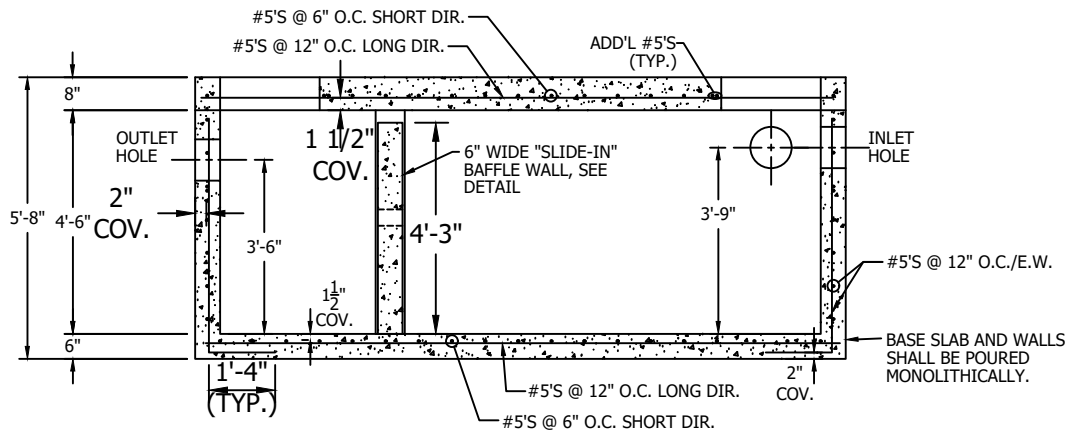


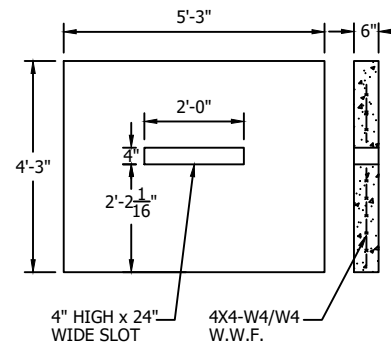
PLAN
K=1'-0"



ROOF PLAN
K=1'-0"



SECTION A-A
K=1'-0"



BAFFLE WALL DETAIL
K=1'-0"

TANK REQUIREMENT CHECKLIST:	
PIPE SIZE -	INLET _____ OUTLET _____
PIPE TO CONCRETE CONNECTOR -	<input type="checkbox"/> HOLE THRU <input type="checkbox"/> BOOT
COATING -	<input type="checkbox"/> YES; <input type="checkbox"/> BITUMINOUS <input type="checkbox"/> NO <input type="checkbox"/> EPOXY
ROOF OPENING -	<input type="checkbox"/> 24" Dia.; <input type="checkbox"/> 30" Dia.

NOTES:

- DESIGN IN ACCORDANCE WITH ASTM C890 AND ACI 318.
- LIVE LOAD = A-20 (AASHTO HS25)
- EARTH FILL FOR DESIGN = 6" MIN., 2' MAX.
- WATER TABLE ASSUMED AT 36" BELOW GRADE
- CONCRETE STRENGTH = 5,000 PSI
- REINFORCING STEEL - ASTM A615, GRADE 60
- OPENINGS, SIZE AND LOCATION, AS REQUIRED:
 - PROVIDE ADDITIONAL REINFORCING AROUND OPENINGS <12" EQUAL TO THE BARS INTERRUPTED BY THE OPENING, 1/2 EACH SIDE AND IN THE SAME PLANE.
 - ADD #4 DIAGONAL TRIM BARS AT OPENINGS.
- MATERIALS AND MANUFACTURING SHALL CONFORM TO ASTM C1227.
- LIFTING AND HANDLING SHALL CONFORM TO OSHA STANDARDS.

NOTE FOR CONTRACTOR:
PLEASE INDICATE LOCATION OF INLET PIPE PRIOR TO RELEASE OF PRODUCTION

WEIGHTS:	
BASE & 4'-6" RISER =	15,560#
ROOF SLAB =	6,600#
BAFFLE WALL =	1,650#
TOTAL	=23,860#



276 Clove Road
Salisbury Mills, New York, 12577
www.arconcrete.com
845-562-0640

SEPTIC TANK / GREASE TRAP
1250 GALLONS

CONTRACTOR:

DATE:	9/1/2022
REV.:	---
DWN.BY:	A&R LLC
DWG. NO.:	TANK1250