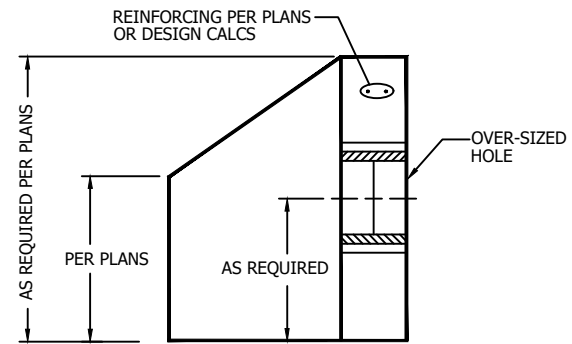
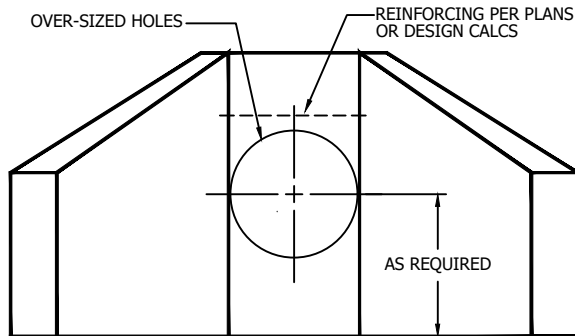


PLAN
1/4" = 1'-0"



SECTION A-A
1/4" = 1'-0"



ELEVATION
1/4" = 1'-0"

WEIGHT
____ POUNDS

NOTES:

- 1) CONCRETE TO TEST 4,500 PSI AT 28 DAYS.
- 2) DESIGN IN ACCORDANCE WITH AASHTO STANDARD SPECIFICATIONS.
- 3) REINFORCING STEEL PER ASTM A615 - GRADE 60.
- 4) HANDRUBBING, IF REQUIRED, TO BE DONE BY CONTRACTOR IN FIELD.
- 5) CONTRACTOR TO SECURELY MORTAR PIPE INTO OVERSIZED HOLE IN FIELD.
- 6) CONCRETE APRON AND CUT-OFF WALL TO BE FORMED AND POURED BY CONTRACTOR IN FIELD.



276 Clove Road
Salisbury Mills, New York, 12577
www.arconcrete.com
845-562-0640

CONCRETE HEADWALL W/O APRON	DATE: 9/1/2022
	REV.: ---
CONTRACTOR: ---	DWN.BY: A&R LLC
	DWG. NO.: HWwoAPR