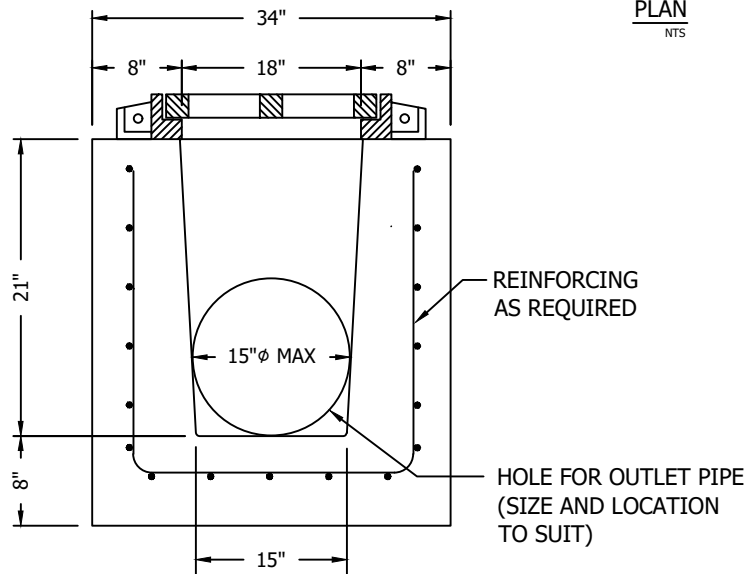
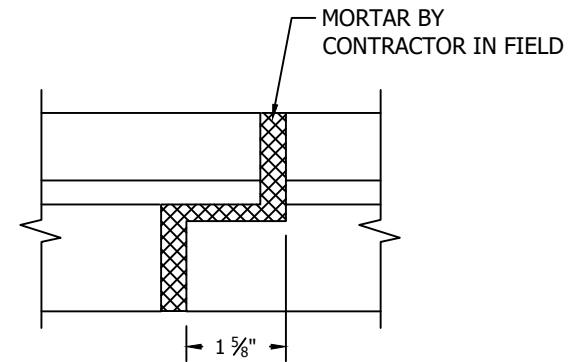


PLAN  
NTS



SECTION A-A  
NTS



JOINT DETAIL  
NTS

**NOTES:**

- 1) CONCRETE TO TEST 5,000 PSI AT 28 DAYS.
- 2) TRENCH TRAIN FRAMES AND GRATES TO BE INSTALLED ON TOP OF WALLS BY CONTRACTOR IN FIELD OR CAST IN BY A&R CONCRETE PRODUCTS, LLC.
- 3) OVERSIZED HOLES FOR OUTLET PIPES AND INCOMING TRENCH TO BE CAST BY A&R CONCRETE PRODUCTS, LLC.

WEIGHT  
\_\_\_\_ POUNDS



276 Clove Road  
Salisbury Mills, New York, 12577  
www.arconcrete.com  
845-562-0640

18"W x 21"H TAPERED TRENCH DRAIN	DATE: 8/31/2022
	REV.: ---
CONTRACTOR: ---	DWN.BY: A&R LLC
	DWG. NO.: 18x21TD