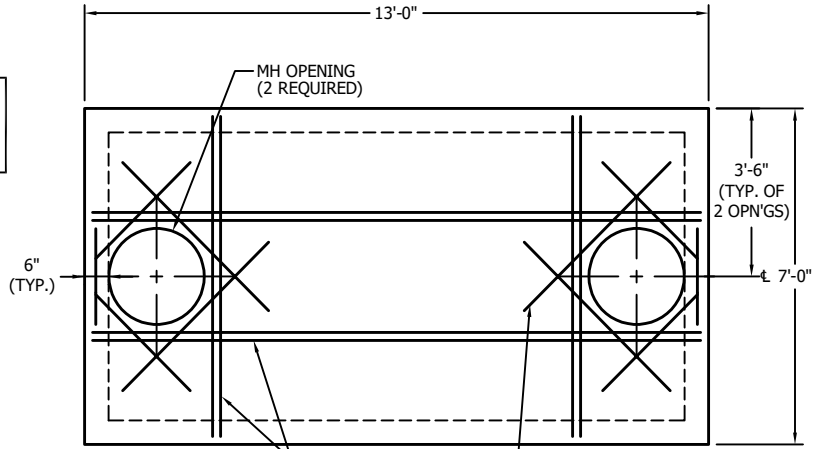


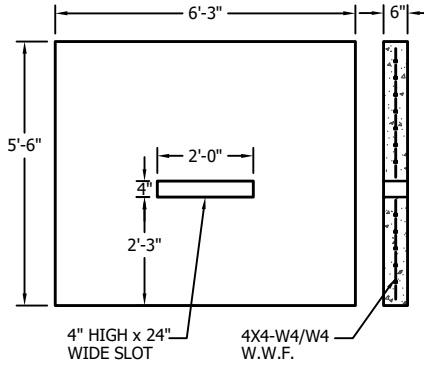
**PLAN**  
N.T.S.

**NOTE FOR CONTRACTOR:**  
PLEASE INDICATE LOCATION OF INLET PIPE PRIOR TO RELEASE OF PRODUCTION

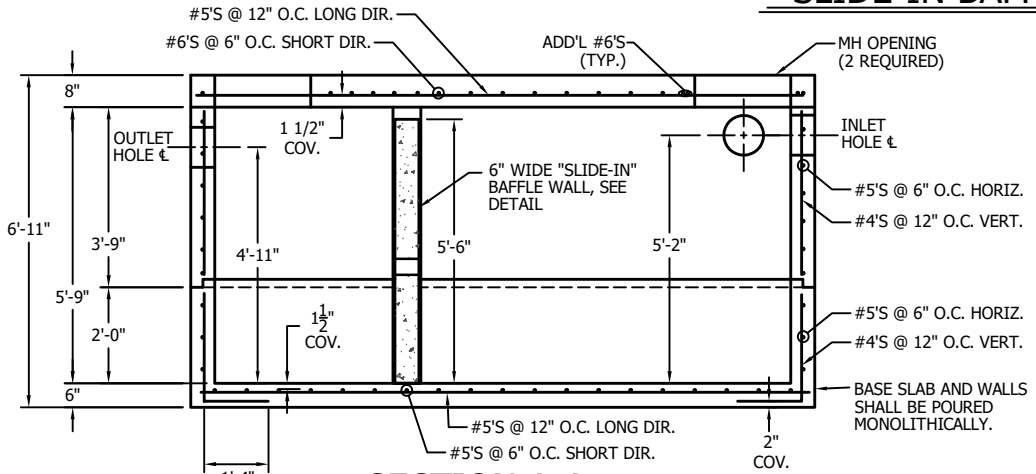


**ROOF PLAN**  
N.T.S.

TANK REQUIREMENT CHECKLIST:	
PIPE TO CONCRETE CONNECTOR -	<input type="checkbox"/> HOLE THRU <input type="checkbox"/> BOOT
COATING -	<input type="checkbox"/> YES; <input type="checkbox"/> BITUMINOUS <input type="checkbox"/> NO <input type="checkbox"/> EPOXY
ROOF OPENING -	<input type="checkbox"/> 24" Dia.; <input type="checkbox"/> 30" Dia.



**SLIDE-IN BAFFLE WALL DETAIL**  
N.T.S.



**SECTION A-A**  
N.T.S.

WEIGHTS:	
BASE & 2'-0" RISER	= 12,500#
RISER 3'-9" HIGH	= 10,600#
ROOF SLAB	= 9,100#
BAFFLE WALL	= 2,560#
TOTAL	= 34,760#

- NOTES:**
- DESIGN IN ACCORDANCE WITH ASTM C890 AND ACI 318.
  - LIVE LOAD = A-20 (AASHTO HS25)
  - EARTH FILL FOR DESIGN = 6" MIN., 2' MAX.
  - WATER TABLE ASSUMED AT 36" BELOW GRADE
  - CONCRETE STRENGTH = 5,000 PSI
  - REINFORCING STEEL - ASTM A615, GRADE 60
  - OPENINGS, SIZE AND LOCATION, AS REQUIRED:
    - PROVIDE ADDITIONAL REINFORCING AROUND OPENINGS <12" EQUAL TO THE BARS INTERRUPTED BY THE OPENING, 1/2 EACH SIDE AND IN THE SAME PLANE.
    - ADD #4 DIAGONAL TRIM BARS AT OPENINGS.
  - MATERIALS AND MANUFACTURING SHALL CONFORM TO ASTM C1227.
  - LIFTING AND HANDLING SHALL CONFORM TO OSHA STANDARDS.



7 Ruscitti Road  
New Windsor, New York, 12553  
www.arconcrete.com  
845-562-0640

<b>SEPTIC TANK/GREASE TRAP</b> 2,500 GALLON	DATE: 6/3/2022
	REV.:
CONTRACTOR: --	DWN.BY: A&R LLC
	DWG. NO.: TANK2500