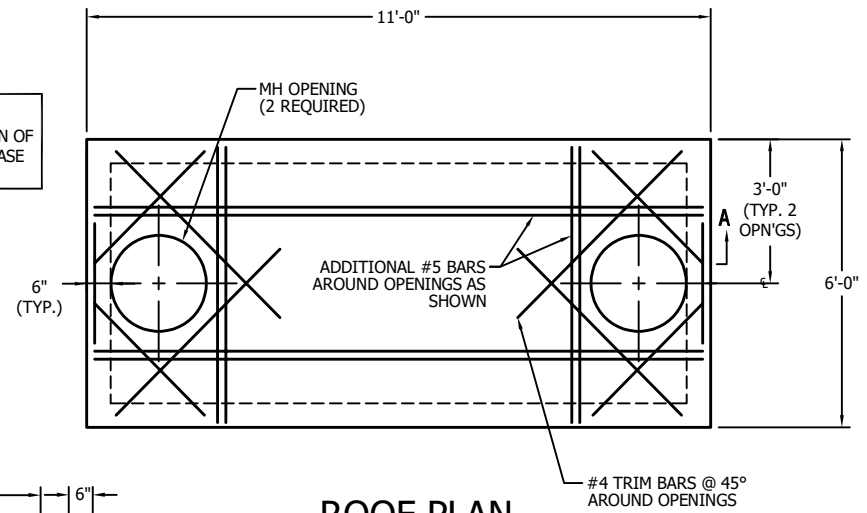


PLAN

N.T.S.

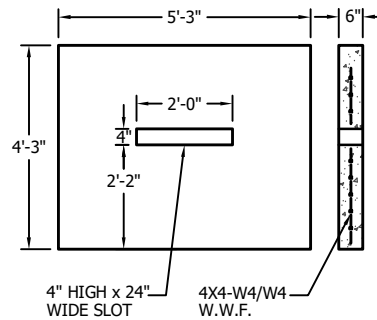
NOTE FOR CONTRACTOR:
PLEASE INDICATE LOCATION OF INLET PIPE PRIOR TO RELEASE OF PRODUCTION



ROOF PLAN

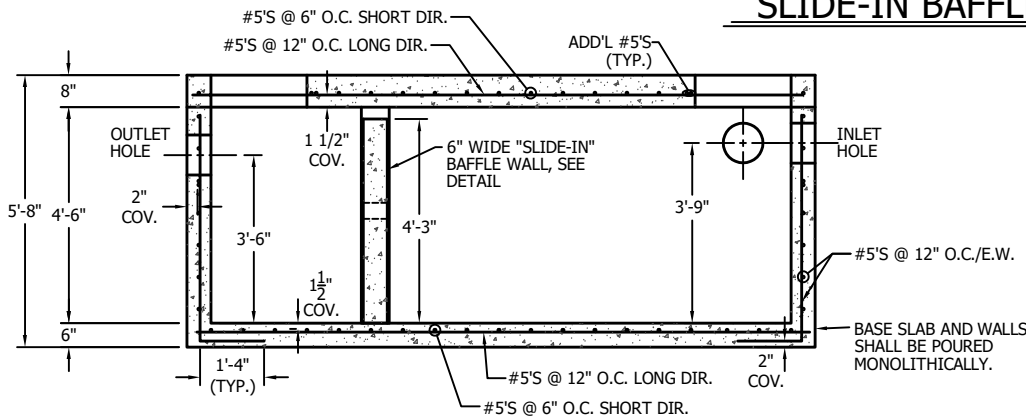
N.T.S.

TANK REQUIREMENT CHECKLIST:	
PIPE SIZE -	INLET _____ OUTLET _____
PIPE TO CONCRETE CONNECTOR -	<input type="checkbox"/> HOLE THRU <input type="checkbox"/> BOOT
COATING -	<input type="checkbox"/> YES; <input type="checkbox"/> BITUMINOUS <input type="checkbox"/> EPOXY
ROOF OPENING -	<input type="checkbox"/> NO <input type="checkbox"/> 24" Dia.; <input type="checkbox"/> 30" Dia.



SLIDE-IN BAFFLE WALL DETAIL

N.T.S.



SECTION A-A

N.T.S.

NOTES:

- 1) DESIGN IN ACCORDANCE WITH ASTM C890 AND ACI 318.
- 2) LIVE LOAD = A-20 (AASHTO HS25)
- 3) EARTH FILL FOR DESIGN = 6" MIN., 2' MAX.
- 4) WATER TABLE ASSUMED AT 36" BELOW GRADE
- 5) CONCRETE STRENGTH = 5,000 PSI
- 6) REINFORCING STEEL - ASTM A615, GRADE 60
- 7) OPENINGS, SIZE AND LOCATION, AS REQUIRED:
 - 7.1) PROVIDE ADDITIONAL REINFORCING AROUND OPENINGS <12" EQUAL TO THE BARS INTERRUPTED BY THE OPENING, 1/2 EACH SIDE AND IN THE SAME PLANE.
 - 7.2) ADD #4 DIAGONAL TRIM BARS AT OPENINGS.
- 8) MATERIALS AND MANUFACTURING SHALL CONFORM TO ASTM C1227.
- 9) LIFTING AND HANDLING SHALL CONFORM TO OSHA STANDARDS.

WEIGHTS:	
BASE & 4'-6" RISER =	15,560#
ROOF SLAB =	6,600#
BAFFLE WALL =	1,650#
TOTAL	=23,860#



7 Ruscitti Road
New Windsor, New York, 12553
www.arconcrete.com
845-562-0640

SEPTIC TANK/GREASE TRAP
1,250 GALLON

DATE: 6/3/2022

REV.:

DWN.BY: A&R LLC

CONTRACTOR:
--

DWG. NO.:
TANK1250