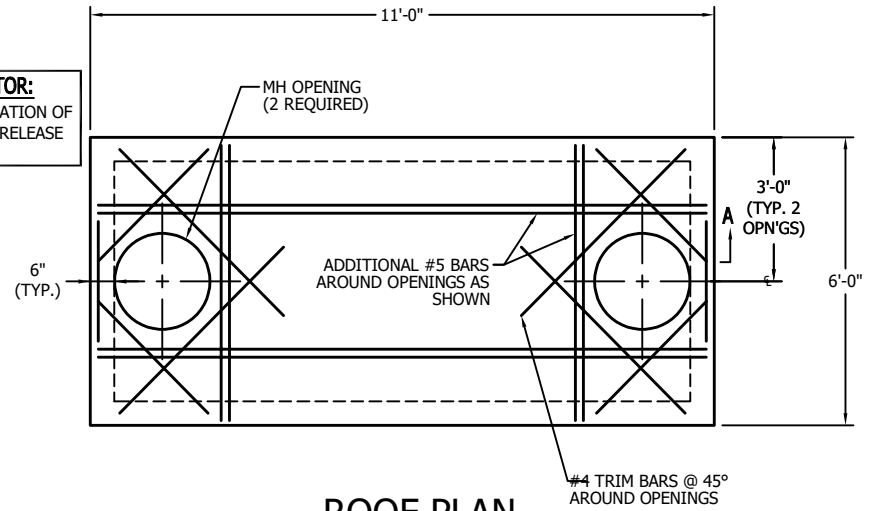


PLAN

N.T.S.

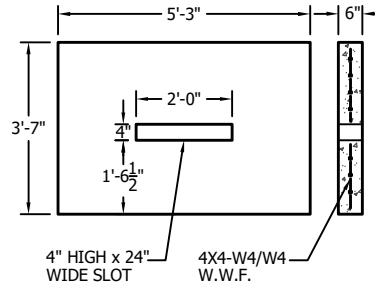
NOTE FOR CONTRACTOR:
PLEASE INDICATE LOCATION OF INLET PIPE PRIOR TO RELEASE OF PRODUCTION



ROOF PLAN

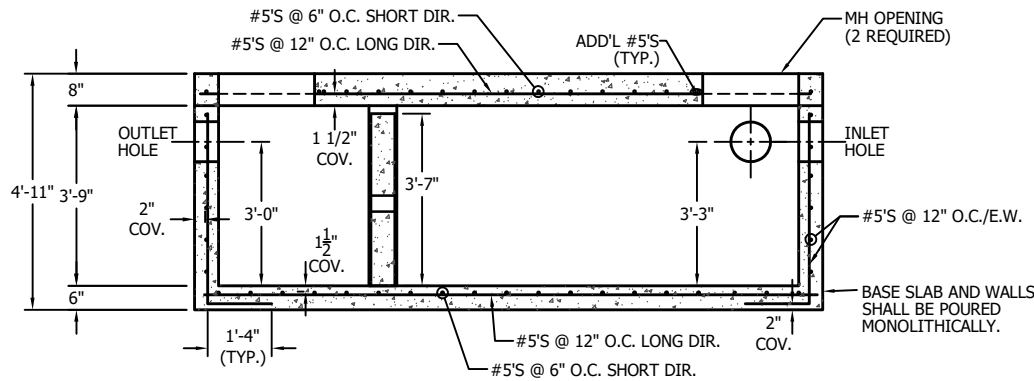
N.T.S.

TANK REQUIREMENT CHECKLIST:	
PIPE SIZE -	INLET _____ OUTLET _____
PIPE TO CONCRETE CONNECTOR -	<input type="checkbox"/> HOLE THRU <input type="checkbox"/> BOOT
COATING -	<input type="checkbox"/> YES; <input type="checkbox"/> BITUMINOUS <input type="checkbox"/> NO <input type="checkbox"/> EPOXY
ROOF OPENING -	<input type="checkbox"/> NO <input type="checkbox"/> 24" Dia.; <input type="checkbox"/> 30" Dia.



SLIDE-IN BAFFLE WALL DETAIL

N.T.S.



SECTION A-A

N.T.S.

WEIGHTS:	
BASE & 3'-9" RISER =	13,800#
ROOF SLAB =	6,600#
BAFFLE WALL =	1,400#
TOTAL =	21,800#

- NOTES:**
- DESIGN IN ACCORDANCE WITH ASTM C890 AND ACI 318.
 - LIVE LOAD = A-20 (AASHTO HS25)
 - EARTH FILL FOR DESIGN = 6" MIN., 2' MAX.
 - WATER TABLE ASSUMED AT 36" BELOW GRADE
 - CONCRETE STRENGTH = 5,000 PSI
 - REINFORCING STEEL - ASTM A615, GRADE 60
 - OPENINGS, SIZE AND LOCATION, AS REQUIRED:
 - PROVIDE ADDITIONAL REINFORCING AROUND OPENINGS <12" EQUAL TO THE BARS INTERRUPTED BY THE OPENING, 1/2 EACH SIDE AND IN THE SAME PLANE.
 - ADD #4 DIAGONAL TRIM BARS AT OPENINGS.
 - MATERIALS AND MANUFACTURING SHALL CONFORM TO ASTM C1227.
 - LIFTING AND HANDLING SHALL CONFORM TO OSHA STANDARDS.



7 Ruscitti Road
New Windsor, New York, 12553
www.arconcrete.com
845-562-0640

SEPTIC TANK/GREASE TRAP
1,000 GALLON

DATE: 6/3/2022

REV.:

DWN BY: A&R LLC

CONTRACTOR:

--

DWG. NO.:

TANK1000