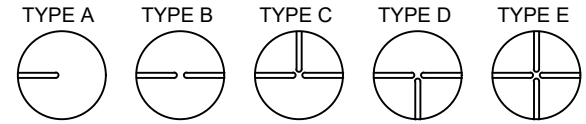
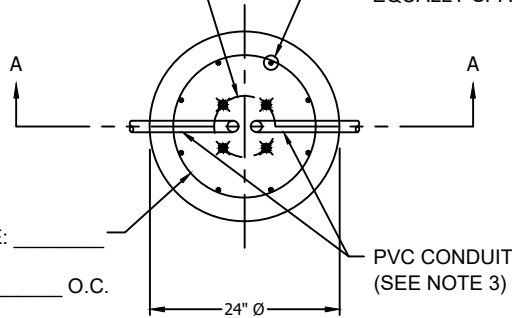


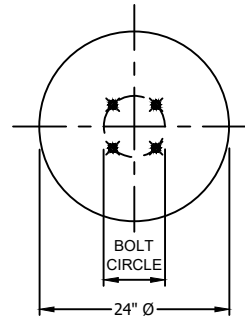
TOTAL UNITS REQUIRED: \_\_\_\_\_



BOLT CIRCLE (AS REQUIRED) \_\_\_\_\_ REBAR SIZE: \_\_\_\_\_ QTY: \_\_\_\_\_  
EQUALLY SPACED



**PLAN VIEW**  
NTS



**BOLT CIRCLE PLAN VIEW**  
NTS

**CONTRACTOR NOTE:**

CONTRACTOR TO PROVIDE NUMBER OF EACH POLE BASE LAYOUT REQUIRED FOR ORDER. (PLEASE USE ABOVE SCHEMATIC)

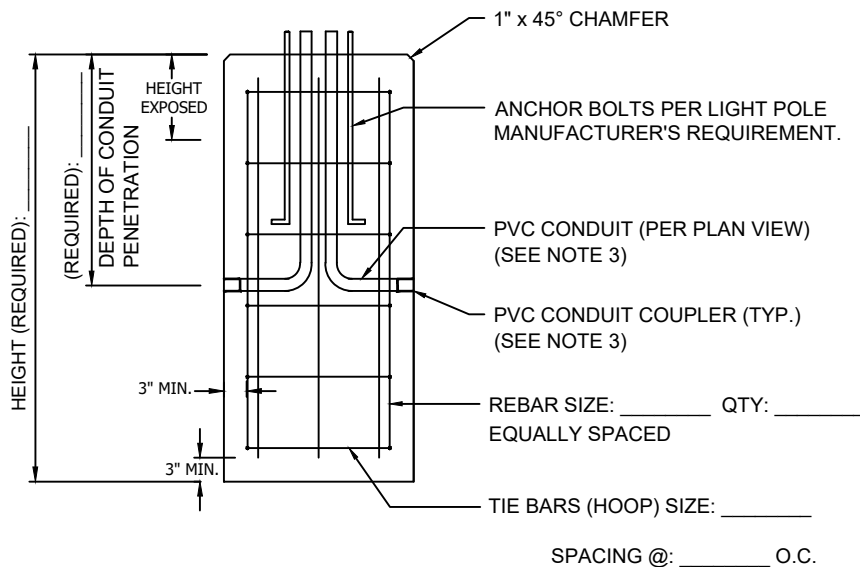
<b>*POLE BASE INFO TABLE</b>	
PVC CONDUIT SIZE:	
GROUND CONDUIT (IF REQUIRED):	
ANCHOR BOLT SIZE:	
BOLT CIRCLE FOR ANCHORS:	
BOLT/CONDUIT PROJECTION:	

\*NOTE: TABLE MUST BE COMPLETED PRIOR TO PRODUCTION RELEASE.

**GENERAL NOTES:**

- 1) CONCRETE TO TEST 4,000 PSI AT 28 DAYS.
- 2) REINFORCING STEEL PER ASTM A615, GRADE 60, UNCOATED BLACK BARS.
- 3) ANCHOR BOLTS, BOLT TEMPLATE AND CONDUIT TO BE SUPPLIED BY CONTRACTOR PRIOR TO FABRICATION AND CAST IN BY A&R.

**CONTRACTOR NOTES/COMMENTS:**



**SECTION A-A**  
NTS

CONTACT: \_\_\_\_\_

PHONE: \_\_\_\_\_

A&R JOB #: \_\_\_\_\_

NOTE: This form is also a cut sheet. By signing below, contractor approves release for production.

X \_\_\_\_\_

	276 Clove Road Salisbury Mills, New York, 12577 www.arconcrete.com 845-562-0640
	DATE: _____ REV.: _____ DWN.BY: A&R LLC DWG. NO.: LPB24
PRECAST CONCRETE LIGHT POLE BASE 24"Ø	
CONTRACTOR: _____	DATE: _____