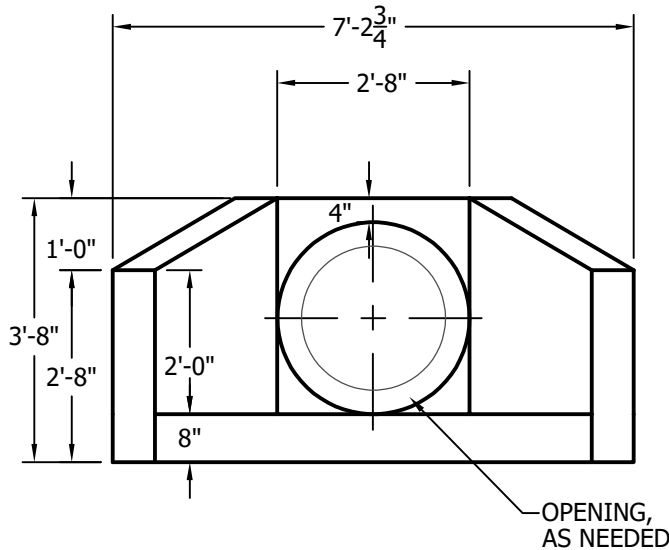
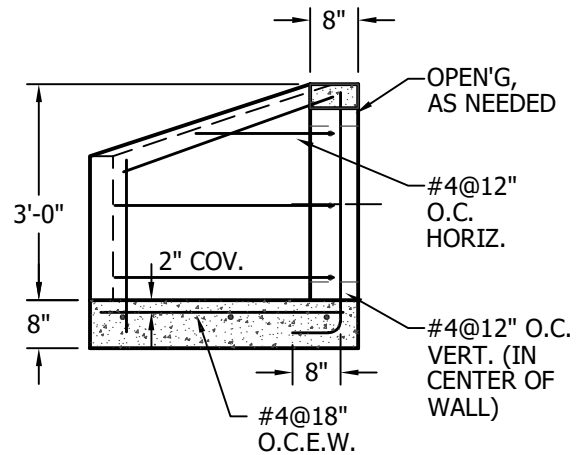


PLAN
N.T.S.



FRONT VIEW
N.T.S.




SECTION A-A
N.T.S.

GENERAL NOTES:

1. DESIGN IS IN ACCORDANCE WITH AASHTO STANDARD SPECIFICATIONS.
2. GEOTECHNICAL DESIGN DATA
 - 2.1 RETAINED SOIL FRICTION ANGLE 32°.
 - 2.2 FOUNDATION SOIL FRICTION ANGLE 32°.
 - 2.3 SOIL DENSITY: 120 pcf
 - 2.4 ALLOWABLE SERVICE LOAD BEARING PRESSURE: 3,000psf
 - 2.5 COEFFICIENT OF SLIDING FRICTION: 0.5
3. CONCRETE STRENGTH. $f'_c = 5,000\text{psi}$ @ 28 DAYS.
4. REINFORCING STEEL - ASTM A615, GRADE 60.
5. MATERIALS AND MANUFACTURING SHALL CONFORM TO AASHTO STANDARDS.
6. LIFTING AND HANDLING SHALL CONFORM TO OSHA STANDARDS.

WEIGHT
4,780 POUNDS

	7 Ruscitti Road New Windsor, New York, 12553 www.arconcrete.com 845-562-0640
3 FT. CONCRETE HEADWALL	DATE: 5/18/2021 REV.: DWN.BY: A&R LLC
CONTRACTOR: --	DWG. NO.: AR-STANDARD3FT