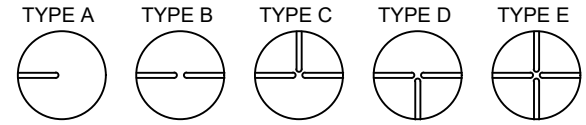
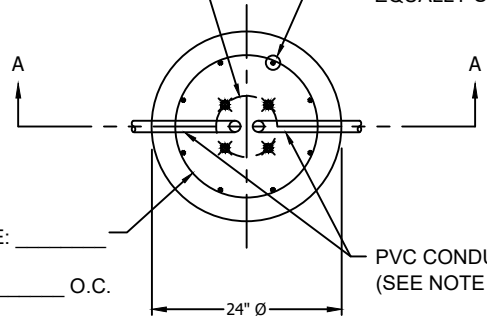


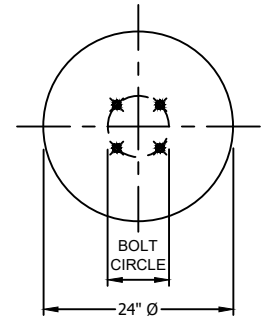
TOTAL UNITS REQUIRED: _____



BOLT CIRCLE (AS REQUIRED) _____ REBAR SIZE: _____ QTY: _____
EQUALLY SPACED



PLAN VIEW
NTS



BOLT CIRCLE PLAN VIEW
NTS

TIE BARS (HOOP) SIZE: _____
SPACING @: _____ O.C. PVC CONDUIT (SEE NOTE 3)

CONTRACTOR NOTE:
CONTRACTOR TO PROVIDE NUMBER OF EACH POLE BASE LAYOUT REQUIRED FOR ORDER. (PLEASE USE ABOVE SCHEMATIC)

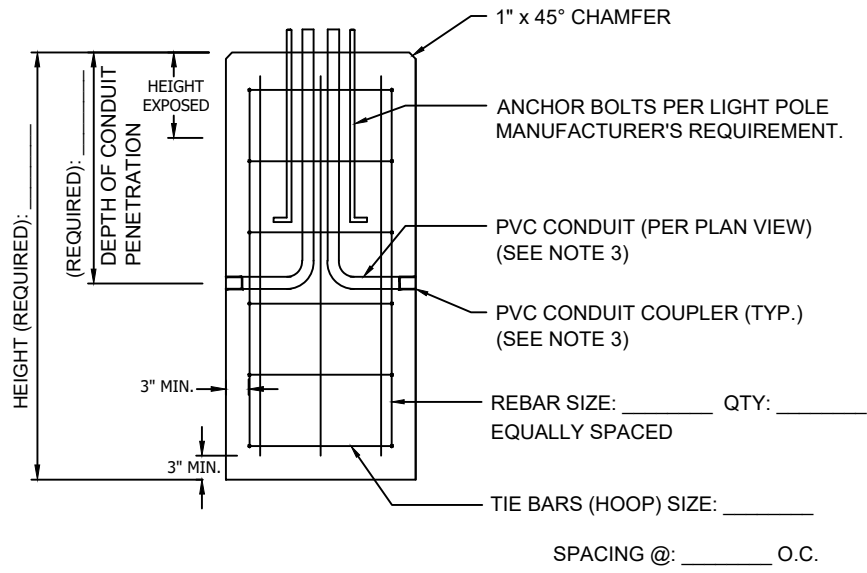
| *POLE BASE INFO TABLE | |
|-------------------------------|--|
| PVC CONDUIT SIZE: | |
| GROUND CONDUIT (IF REQUIRED): | |
| ANCHOR BOLT SIZE: | |
| BOLT CIRCLE FOR ANCHORS: | |
| BOLT/CONDUIT PROJECTION: | |

*NOTE: TABLE MUST BE COMPLETED PRIOR TO PRODUCTION RELEASE.

GENERAL NOTES:

- 1) CONCRETE TO TEST 4,000 PSI AT 28 DAYS.
- 2) REINFORCING STEEL PER ASTM A615, GRADE 60, UNCOATED BLACK BARS.
- 3) ANCHOR BOLTS, BOLT TEMPLATE AND CONDUIT TO BE SUPPLIED BY CONTRACTOR PRIOR TO FABRICATION AND CAST IN BY A&R.

CONTRACTOR NOTES/COMMENTS:



SECTION A-A
NTS

CONTACT: _____
PHONE: _____

NOTE: This form is also a cut sheet. By signing below, contractor approves release for production.

X _____

| | | |
|--|--|-----------------|
| | 276 Clove Road Salisbury Mills, New York, 12577 www.arconcrete.com 845-562-0640 | DATE: |
| | | REV.: |
| PRECAST CONCRETE LIGHT POLE BASE 24"Ø | | DWN.BY: A&R LLC |
| CONTRACTOR: | | DWG. NO.: LPB24 |