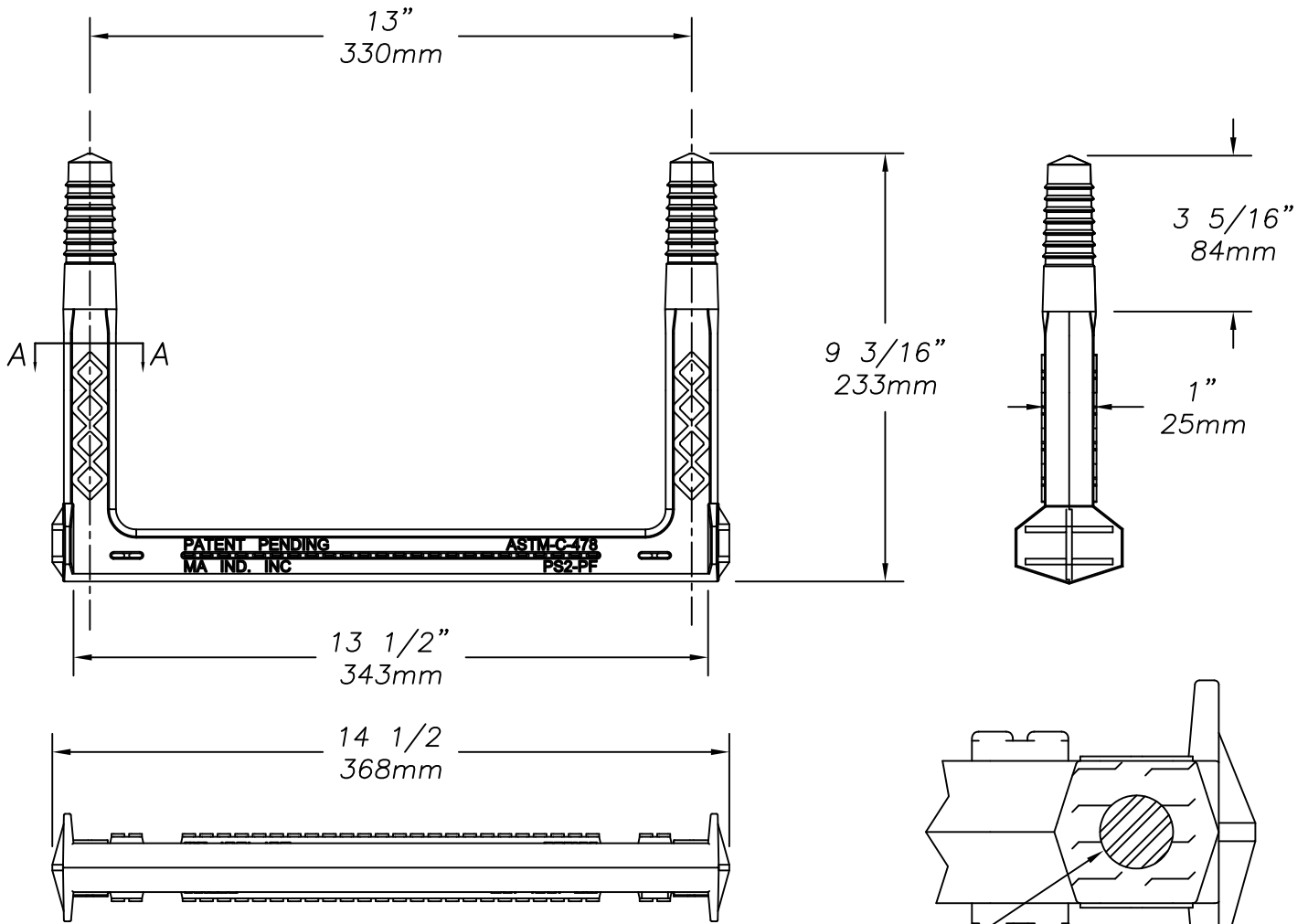


**PS2-PF-DF**

**004-510-DF**

**Manhole Step**

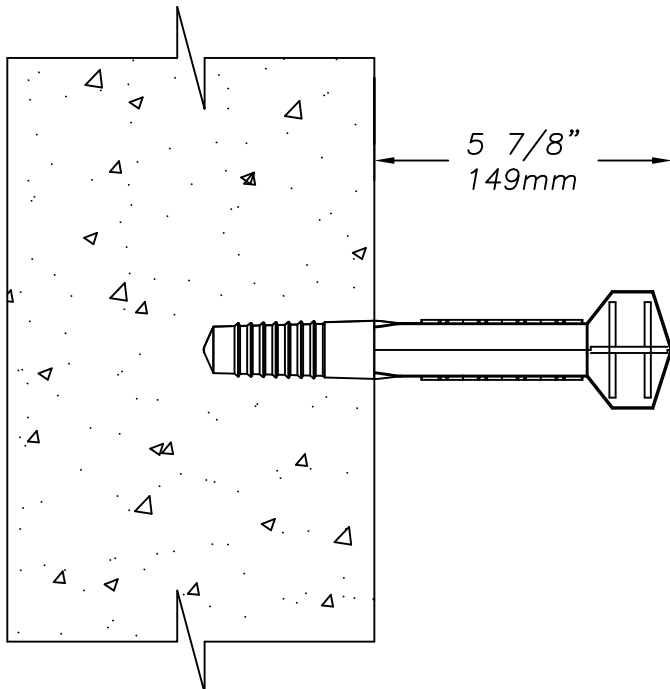


**Copolymer Polypropylene Plastic**

13mm  
1/2"

**GRADE 60 STEEL REINFORCEMENT**

**SECTION-A**



**MEETS: ASTM C-478  
ASTM D-4101  
ASTM A-615  
AASHTO M-199**

**M . A . I N D U S T R I E S , I N C .**

