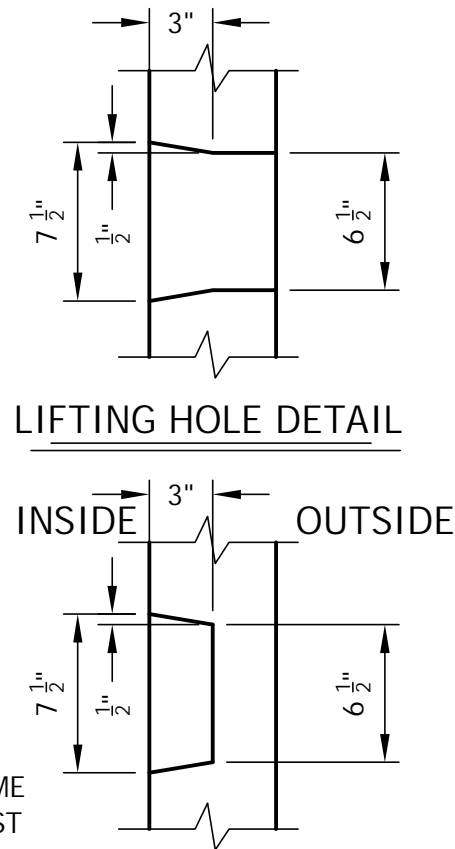
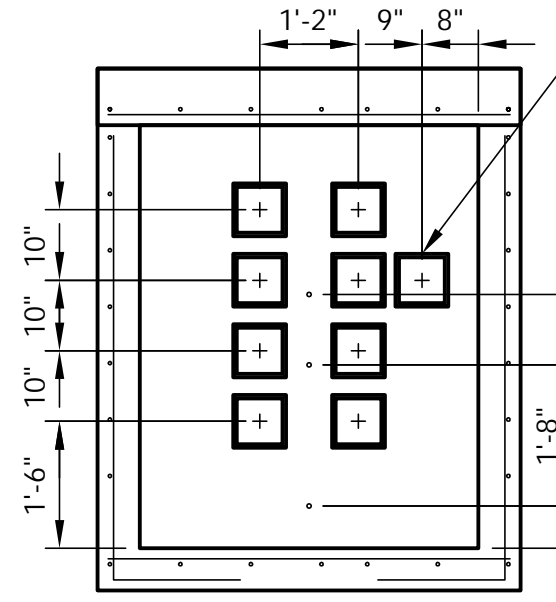


PLAN VIEW

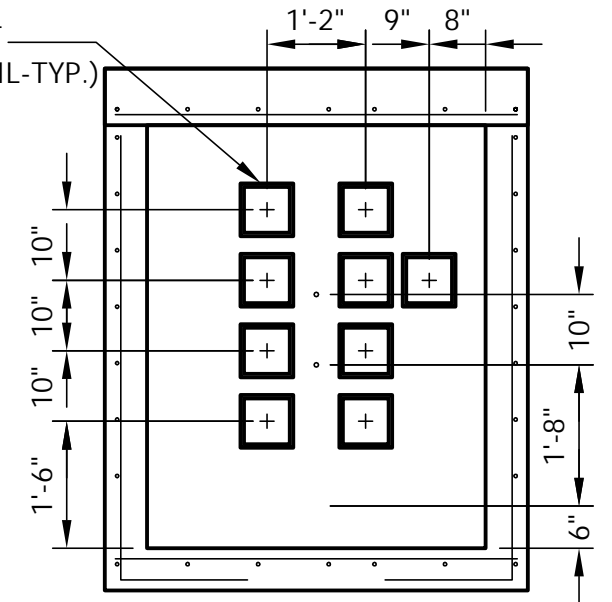


LIFTING HOLE DETAIL

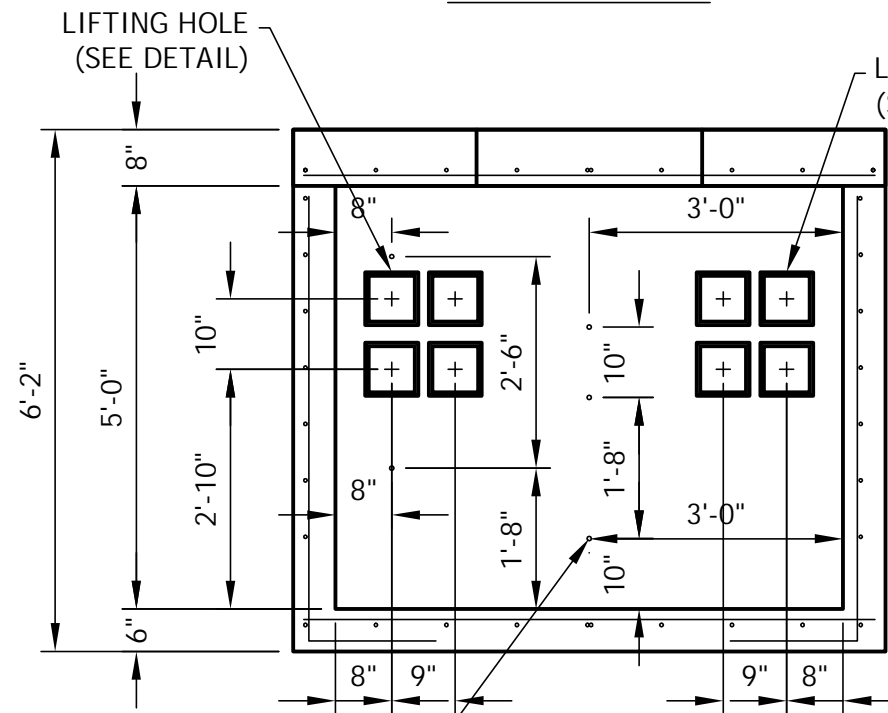
TYP. KNOCKOUT RECESS



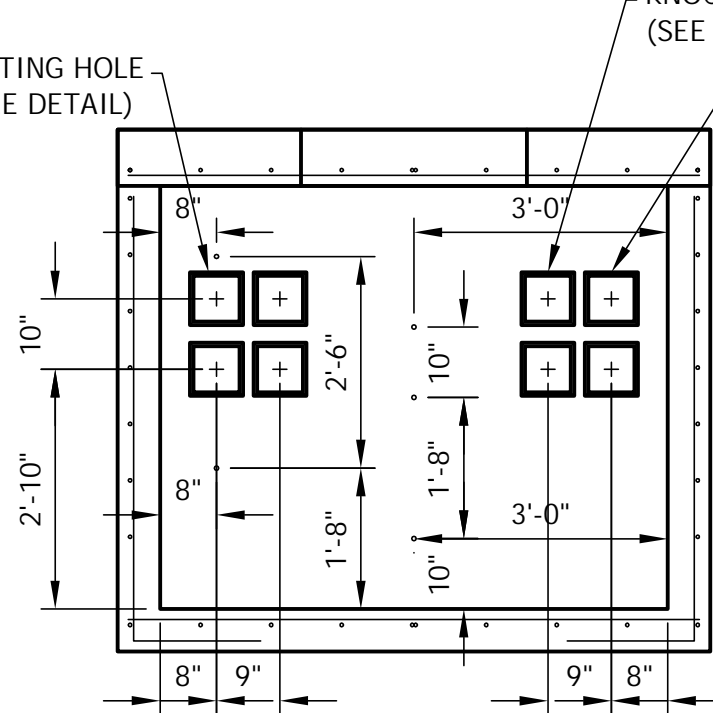
WALL A
ELEVATION VIEW



WALL A
ELEVATION VIEW



WALL B
ELEVATION VIEW



WALL D
ELEVATION VIEW

GENERAL NOTES:

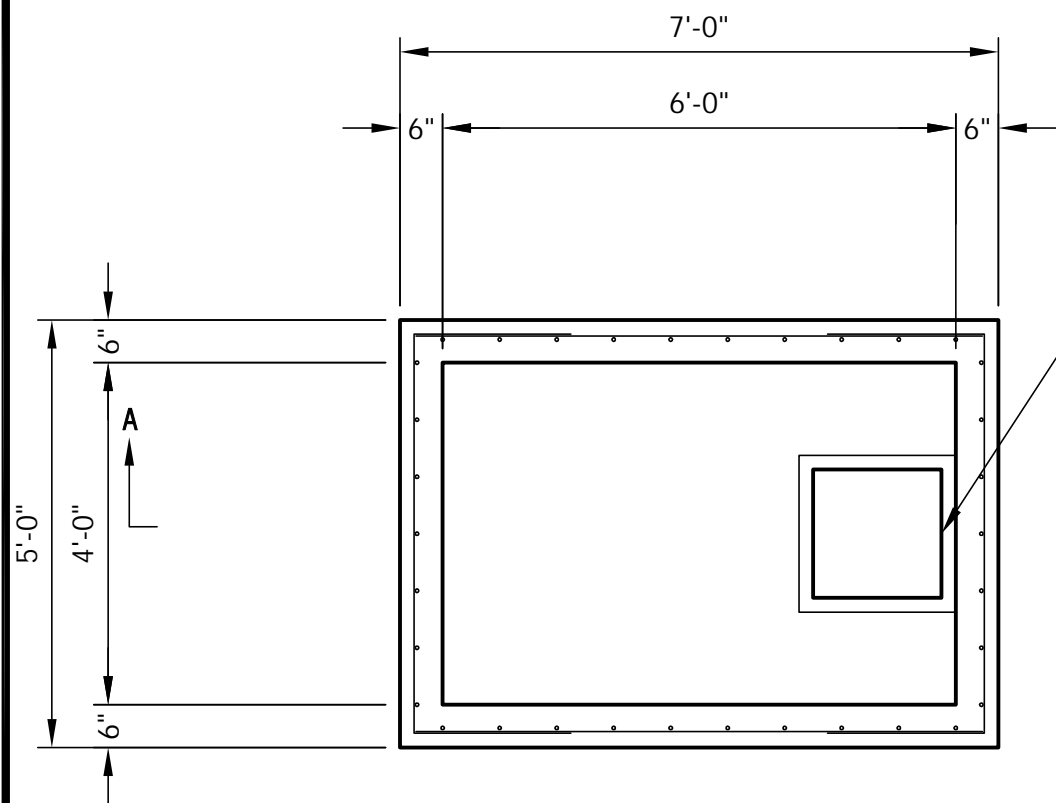
- 1) CONCRETE TO TEST 4,000 PSI AT 28 DAYS.
- 2) REINFORCING STEEL PER ASTM A185 FOR WELDED WIRE FABRIC (W.W.F.).
REINFORCING STEEL PER ASTM A615, GRADE 60 - BLACK BARS. ALL REINFORCING WILL BE UNCOATED BLACK BARS.
- 3) OVERSIZED HOLES PROVIDED AT PIPE LOCATIONS. CONTRACTOR TO SECURELY MORTAR PIPES INTO PLACE IN THE FIELD.
- 4) FRAME & GRATE TO BE SUPPLIED BY OTHERS AND SECURELY MORTARED INTO PLACE BY CONTRACTOR IN THE FIELD.



7 Ruscitti Road
New Windsor, New York, 12553
www.arconcrete.com
845-562-0640

A&R STANDARD PRODUCT
PRECAST CONCRETE DISTRIBUTION BOX DB-6
(LAYOUT DRAWING)

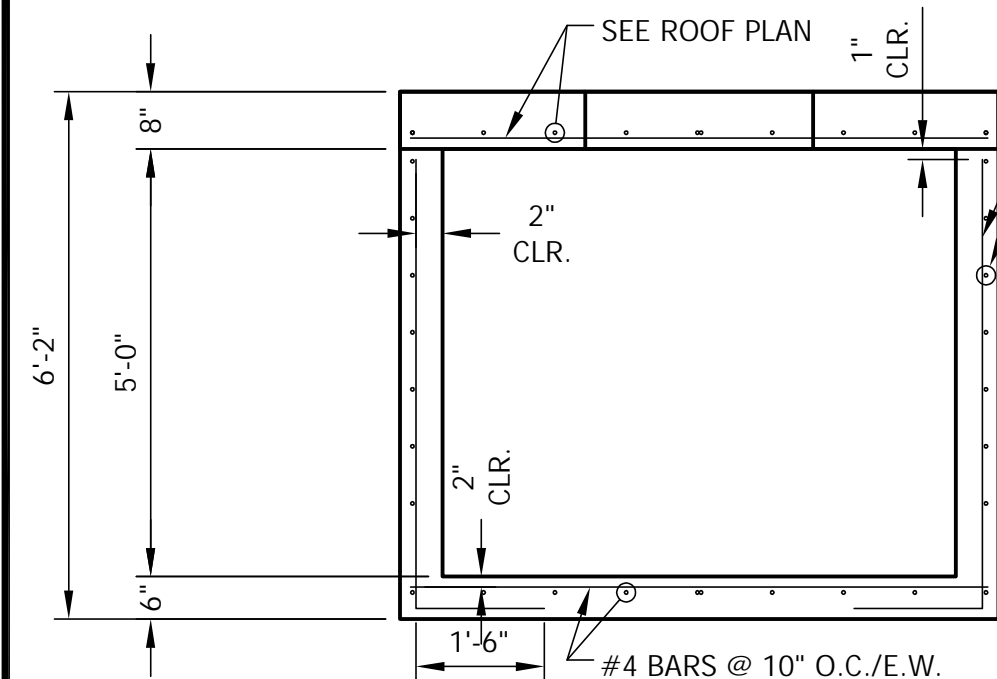
DATE:	6/8/2020
REV.:	
DWN. BY:	A&R LLC
DWG. NO.:	CONEDDB6CP



18"x18" FRAME
& GRATE CAST
IN TO BASE
SLAB

WEIGHT:
BASE & WALLS = 11,000#
ROOF = 3,500#

PLAN VIEW

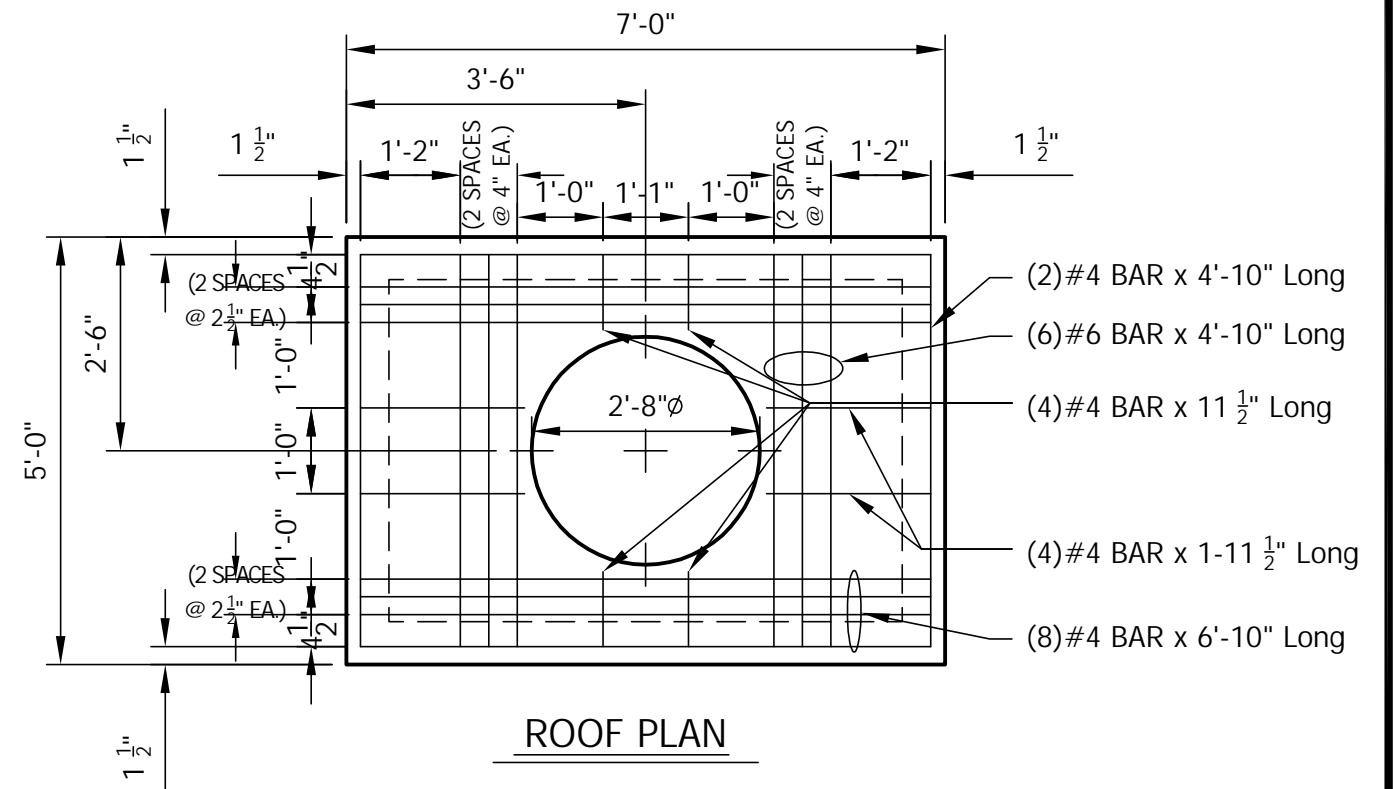


ROOF SLAB TO BE SECURELY
MORTARED TO TOP OF WALLS BY
CONTRACTOR IN THE FIELD.

#4 BARS @ 18" O.C.(VERT.)
#4 BARS @ 8" O.C.(HORIZ)

BASE SLAB AND WALLS SHALL
BE POURED MONOLITHICALLY.

SECTION A-A



ROOF PLAN

GENERAL NOTES:

- 1) CONCRETE TO TEST 4,000 PSI AT 28 DAYS.
- 2) REINFORCING STEEL PER ASTM A185 FOR WELDED WIRE FABRIC (W.W.F.).
REINFORCING STEEL PER ASTM A615, GRADE 60 - BLACK BARS. ALL
REINFORCING WILL BE UNCOATED BLACK BARS.
- 3) OVERSIZED HOLES PROVIDED AT PIPE LOCATIONS. CONTRACTOR TO SECURELY
MORTAR PIPES INTO PLACE IN THE FIELD.
- 4) FRAME & GRATE TO BE SUPPLIED BY OTHERS AND SECURELY MORTARED INTO
PLACE BY CONTRACTOR IN THE FIELD.



7 Ruscitti Road
New Windsor, New York, 12553
www.arconcrete.com
845-562-0640

A&R STANDARD PRODUCT
PRECAST CONCRETE DISTRIBUTION BOX DB-6
(REINFORCING DRAWING)

DATE: 6/8/2020

REV.:

DWN.BY: A&R LLC

DWG. NO.:
CONEDDB6CP