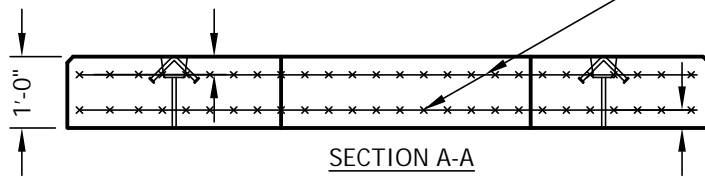


PLAN VIEW

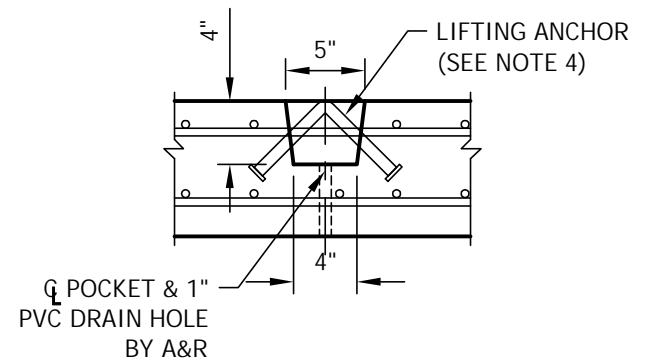


SECTION A-A

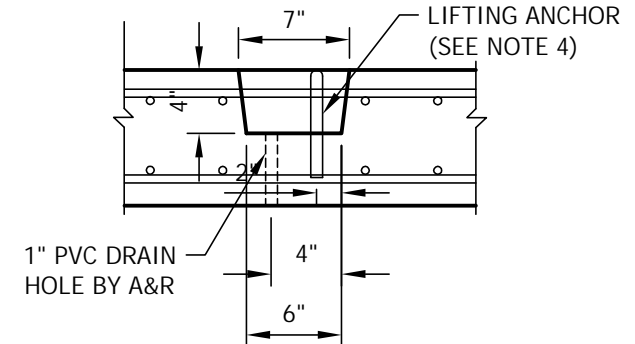
HEAVIEST LIFT = 9,250 LBS

#4 BARS @ 12" O.C./E.W.
(TOP & BOTTOM LAYER)

1"x45° CHAMFER
ALL AROUND TOP
EDGE



POCKET & 1" PVC DRAIN HOLE BY A&R



1" PVC DRAIN HOLE BY A&R

LIFTING ANCHOR AND DRAIN DETAIL

GENERAL NOTES:

- 1) CONCRETE TO TEST 5,000 PSI AT 28 DAYS.
- 2) REINFORCING STEEL PER ASTM A615, GRADE 60 - BLACK BARS. 2" CLEAR ALL AROUND.
- 3) ALL LIFTING ANCHORS TO BE RECESSED & EACH LIFTING ANCHOR SHALL HAVE A WORKING CAPACITY OF 6,000 LBS.



7 Ruscitti Road
New Windsor, New York, 12553
www.arconcrete.com
845-562-0640

PRECAST CONCRETE O&R TRANSFORMER PAD
SIZE 750-1000 kva (OD 9'-0"x7'-8"x12")

DATE: 12/13/2019

REV.:

DWN.BY: A&R LLC

DWG. NO.: O&RPAD750-1000