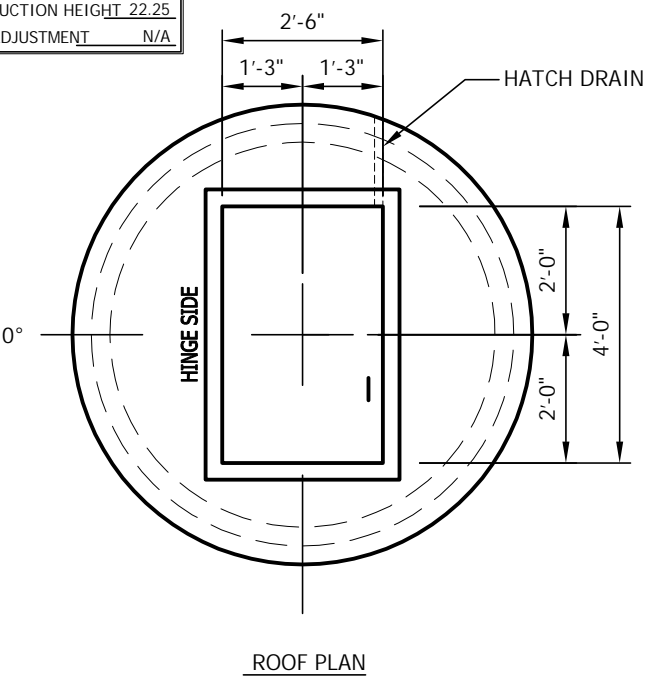
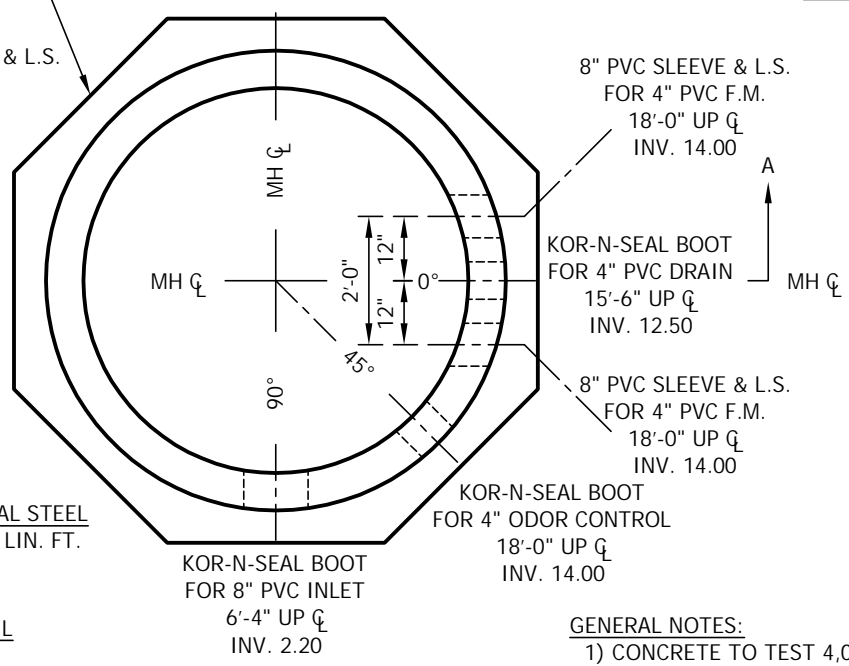


NOTE:
NO STEPS REQUIRED

NOTE:
NO WATERPROOFING REQUIRED

ELEVATION TABLE	
TOP OF ROOF SLAB	19.50
TOP OF BASE SLAB	-3.83
GROSS HEIGHT	23.33
ROOF SLAB	1.08
NET HEIGHT	22.25
WALL PRODUCTION HEIGHT	22.25
MASONRY ADJUSTMENT	N/A



GENERAL NOTES:

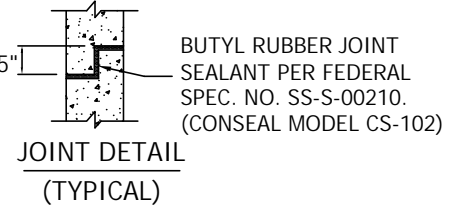
- 1) CONCRETE TO TEST 4,000 PSI AT 28 DAYS.
- 2) ALL MATERIAL IN STRICT CONFORMANCE WITH ASTM C478, LATEST REVISION.
- 3) KOR-N-SEAL RUBBER BOOTS TO BE SUPPLIED AND INSTALLED BY A&R CONCRETE PRODUCTS, LLC. SEE TABLE BELOW FOR SIZES:

QUANTITY	PIPE SIZE	PIPE TYPE	BOOT MODEL
1	8"	PVC	S406-12AW
2	4"	PVC	S106-7WS

- 4) PLASTIC WALL SLEEVE TO BE SUPPLIED & CAST IN BY A&R. LINK-SEAL TO BE SUPPLIED BY A&R AND INSTALLED BY CONTRACTOR IN THE FIELD. SEE TABLE BELOW FOR SIZES:

QUANTITY	PIPE SIZE	PIPE TYPE	WALL SLEEVE	LINKS
2	4"	DIP	CS-8-7"	LS-410 (7 LINKS)
2	2"	SCH 80 PVC	CS-4-7"	LS-300 (6 LINKS)

- 5) PUMP ASSEMBLY; PIPING; HOUSING AND ANY OTHER MATERIAL REQUIREMENTS FOR THE PUMP STATION TO BE SUPPLIED AND INSTALLED BY CONTRACTOR IN THE FIELD



	7 Ruscitti Road New Windsor, New York, 12553 www.arconcrete.com 845-562-0640	
	PRECAST CONCRETE WET WELL PUMP STATION	
		DATE: 10/8/2019
		REV.:
		DWN.BY: A&R LLC
		DWG. NO.: AR-PumpSta

HEAVIEST LIFT = 8.00 TONS (BASE & 5'-0" WALL)
5.50 TONS (6'-0" RISER WALL)