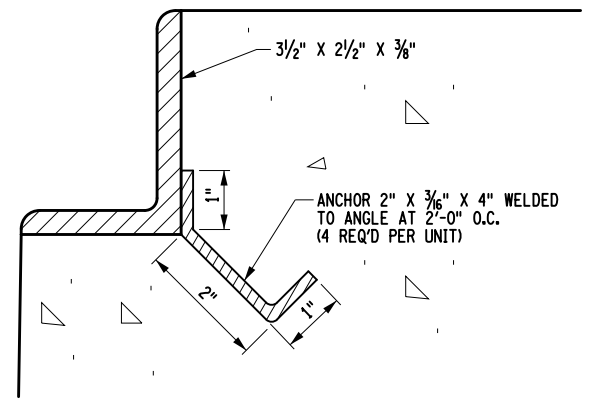
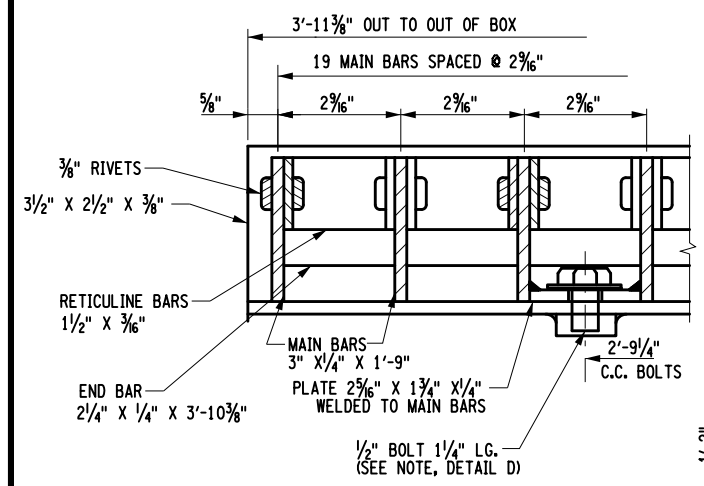


NOTE: GRATING AND ANGLE FRAME TO BE GALVANIZED IN CONFORMANCE WITH SUBSECTION 719-01 TYPE I OF THE STANDARD SPECIFICATION.

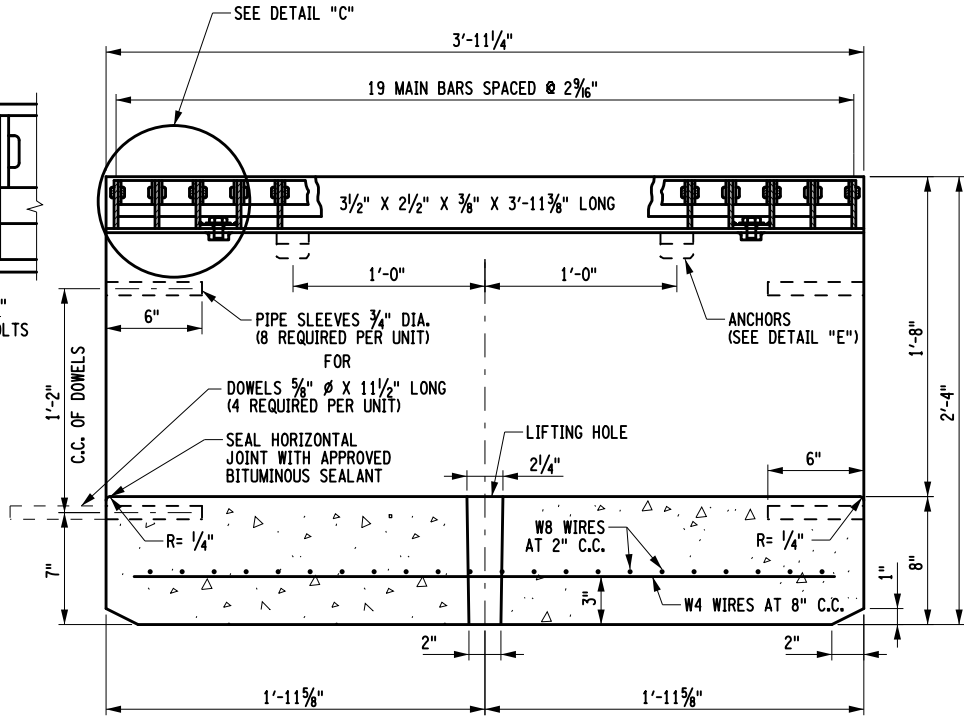


DETAIL "E"

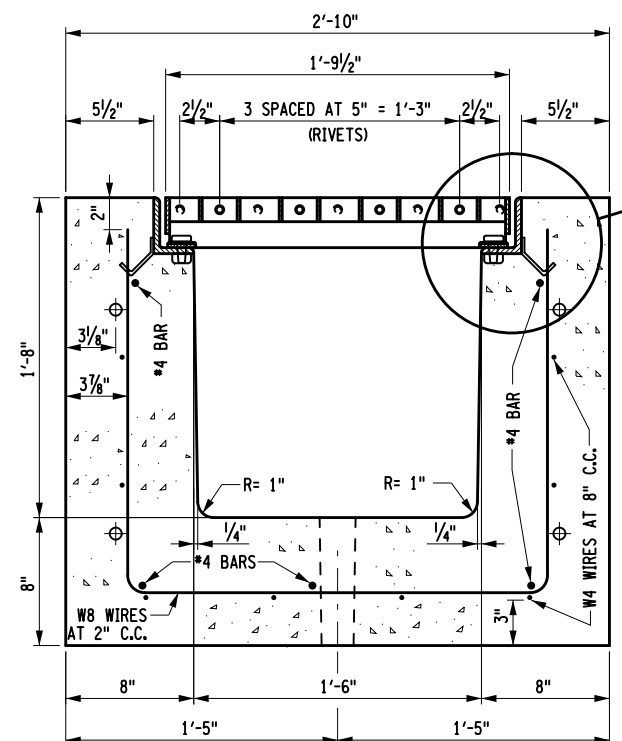
PLAN



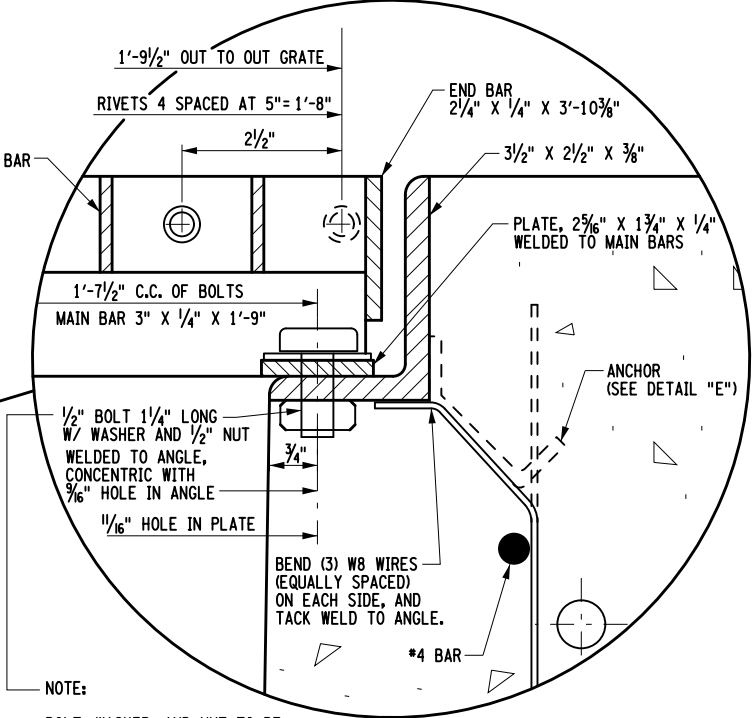
DETAIL "C"



SECTION A-A



SECTION B-B



DETAIL "D"

NOTE: BOLT, WASHER, AND NUT TO BE TYPE 316 STAINLESS STEEL OR MONEL METAL. IN WELDING MONEL METAL NUT TO ANGLE IT IS RECOMMENDED THAT NI ROD #55 BE USED.

FILE NAME = 604-01e1.dgn
DATE/TIME = 06-AUG-2014 13:37
USER = jturley

STATE OF NEW YORK DEPARTMENT OF TRANSPORTATION	
U.S. CUSTOMARY STANDARD SHEET	
PRE-CAST CONCRETE TRANSVERSE DRAINAGE INTERCEPTOR	
APPROVED JULY 28, 2014	ISSUED UNDER EB 08-036
/S/ RICHARD W. LEE, P.E. DEPUTY CHIEF ENGINEER (DESIGN)	604-01

ERRATA 1 EFF. 09/04/2014
ISSUED WITH EB 14-025
EFFECTIVE DATE: 01/08/09