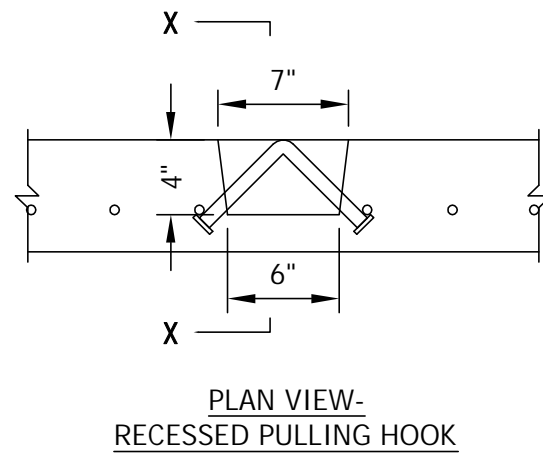
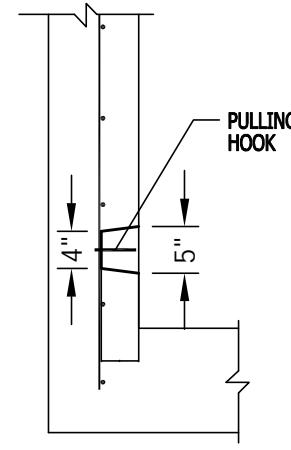


PLAN VIEW

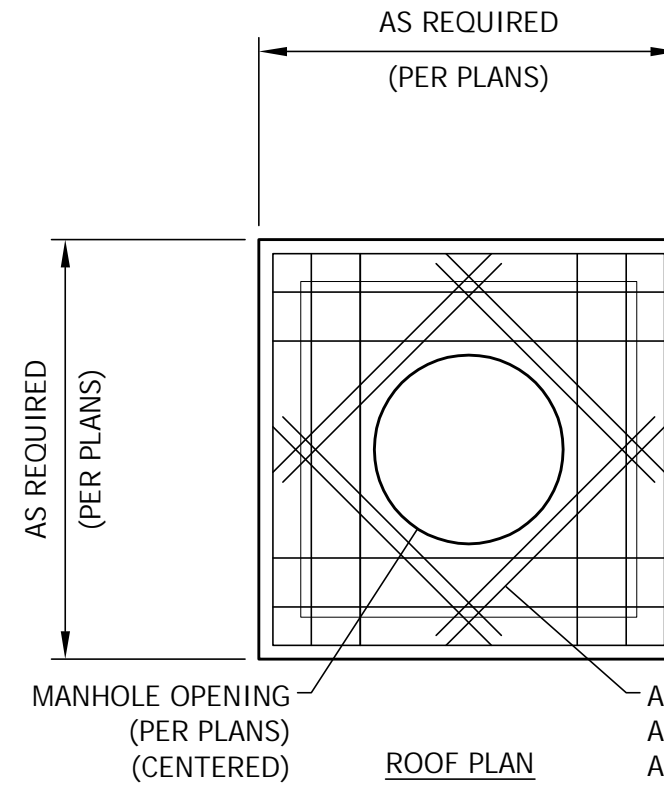


PLAN VIEW-
RECESSED PULLING HOOK

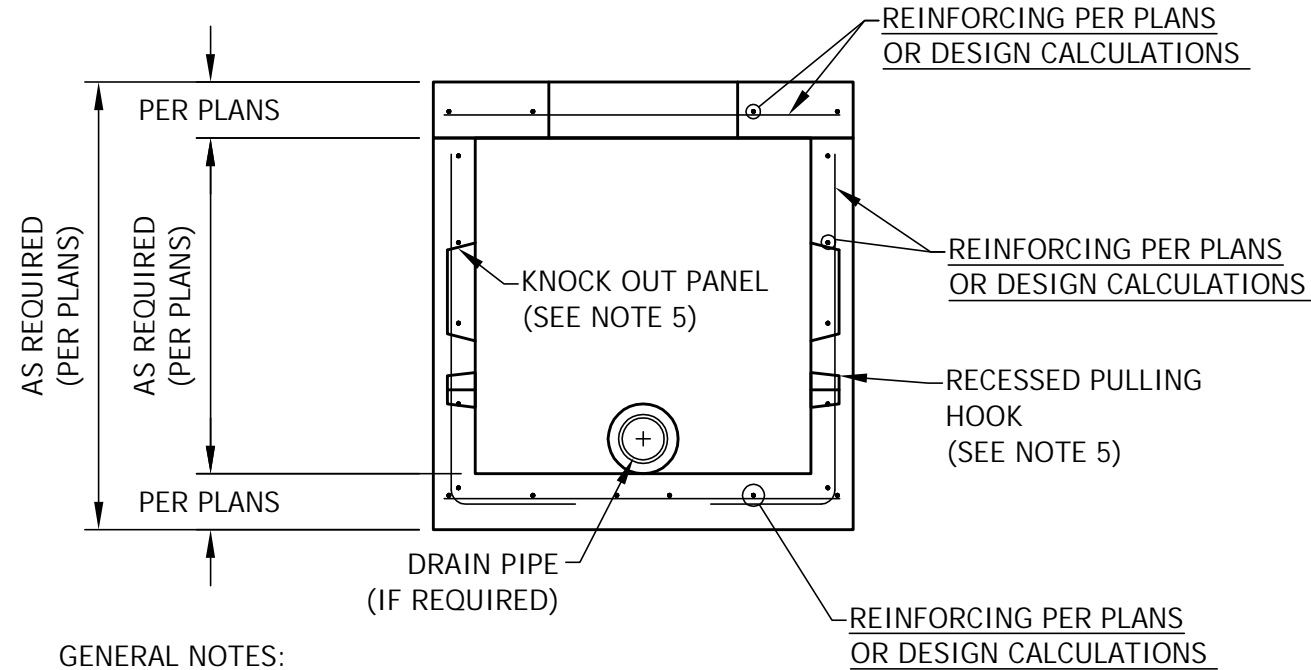


SECTION X-X
RECESSED PULLING HOOK
PULLING HOOK
DETAIL

REINFORCING PER PLANS
OR DESIGN CALCULATIONS



ROOF PLAN



GENERAL NOTES:

- 1) CONCRETE TO TEST 4,000 PSI AT 28 DAYS.
- 2) REINFORCING STEEL PER ASTM A615, GRADE 60 - BLACK BARS. PROVIDE 2" MIN. COVER ALL AROUND.
- 3) PULLING HOOKS SHALL BE HOT DIPPED GALVANIZED IN ACCORDANCE WITH ASTM 153. SEE ATTACHED PRODUCT LITERATURE.
- 4) MANHOLE FRAMES & COVERS TO BE SUPPLIED AND INSTALLED BY CONTRACTOR IN THE FIELD.
- 5) EXPLODED VIEW DRAWINGS ARE AVAILABLE FOR KNOCK OUT PANEL, PULLING HOOK AND DRAIN PIPE LOCATIONS & QUANTITIES.
- 6) CABLE RACK/SUPPORT ASSEMBLY SHALL BE SUPPLIED AND INSTALLED BY CONTRACTOR IN THE FIELD.



7 Ruscitti Road
New Windsor, New York, 12553
www.arconcrete.com
845-562-0640

ELECTRIC MANHOLE DRAWING

CONTRACTOR:

DATE:

REV.:

DWN.BY: AR LLC

DWG. NO.: