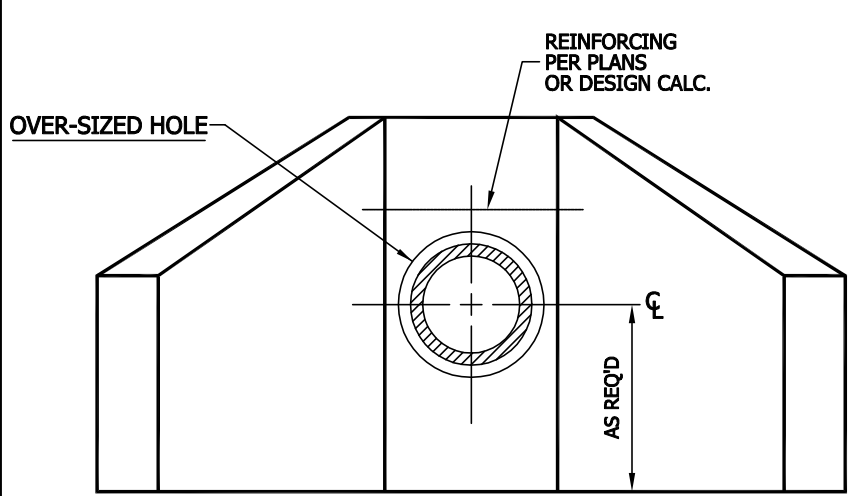
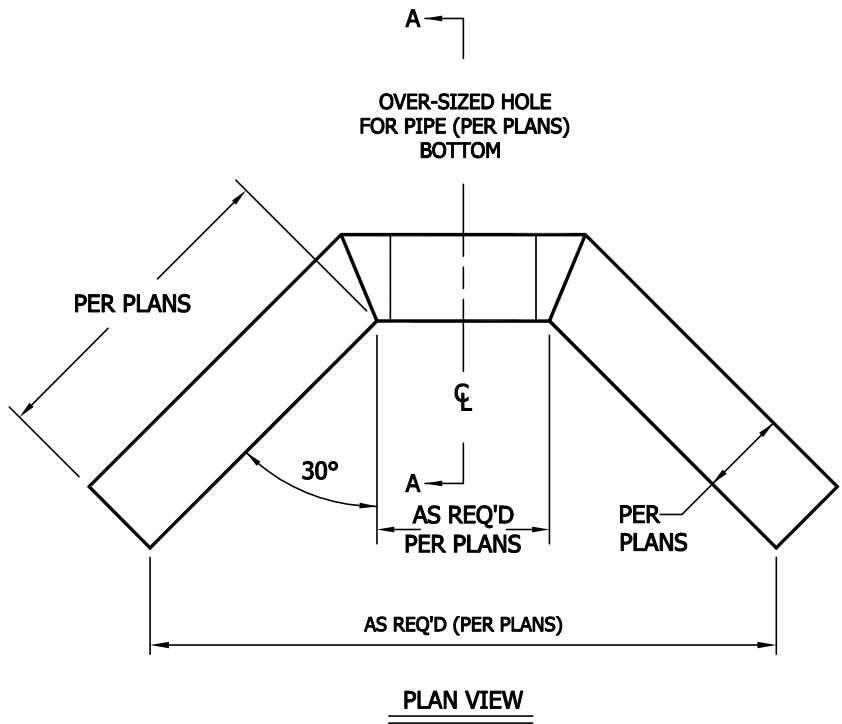
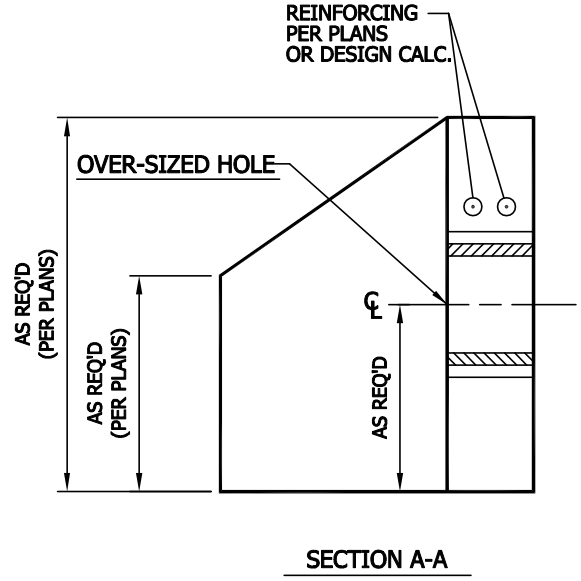


CONTRACTOR:
PROJECT:



NOTE:
 CONCRETE APRON AND CUT-OFF WALL
 TO BE FORMED AND POURED BY
 CONTRACTOR IN THE FIELD.



NOTES:

1. CONCRETE TO TEST 4,500 PSI AT 28 DAYS.
2. REINFORCING STEEL PER ASTM A615, GRADE 60.
3. HANDRUBBING, IF REQUIRED, TO BE DONE BY THE CONTRACTOR IN THE FIELD.
4. CONTRACTOR TO SECURELY MORTAR PIPE INTO OVERSIZED HOLE IN THE FIELD.

	7 Ruscitti Road New Windsor, New York, 12553 www.arconcrete.com 845-562-0640	
	PRECAST CONCRETE HEADWALL/HEADWALL DRAWING	
DATE:	DWN BY: A&R LLC	DWG. NO.