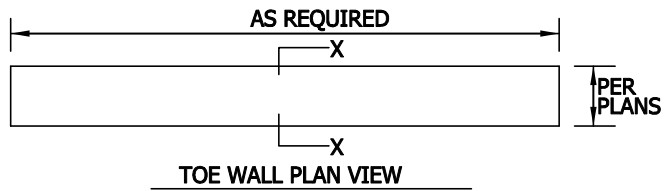
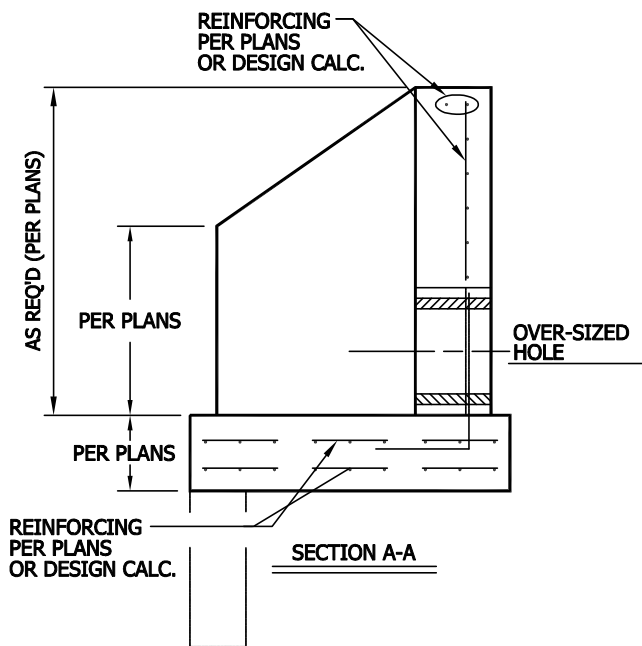
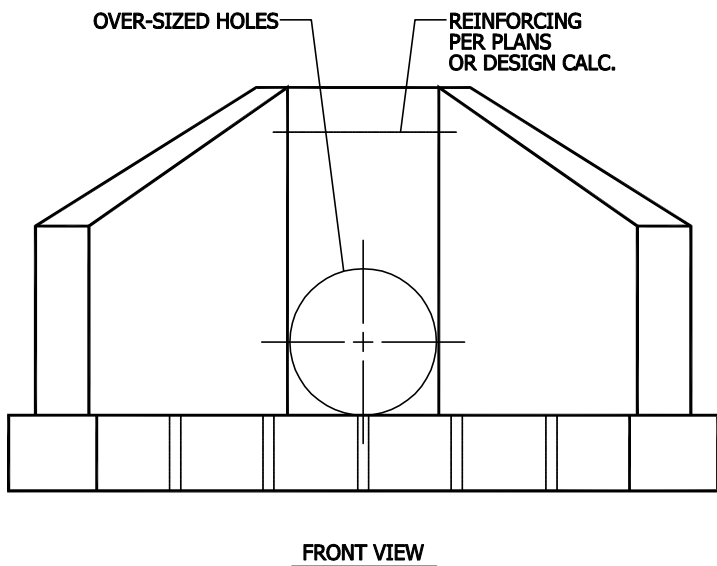
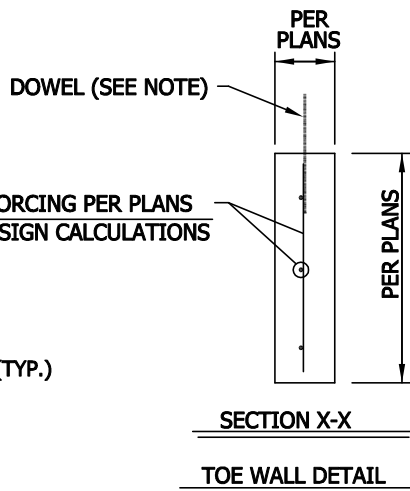
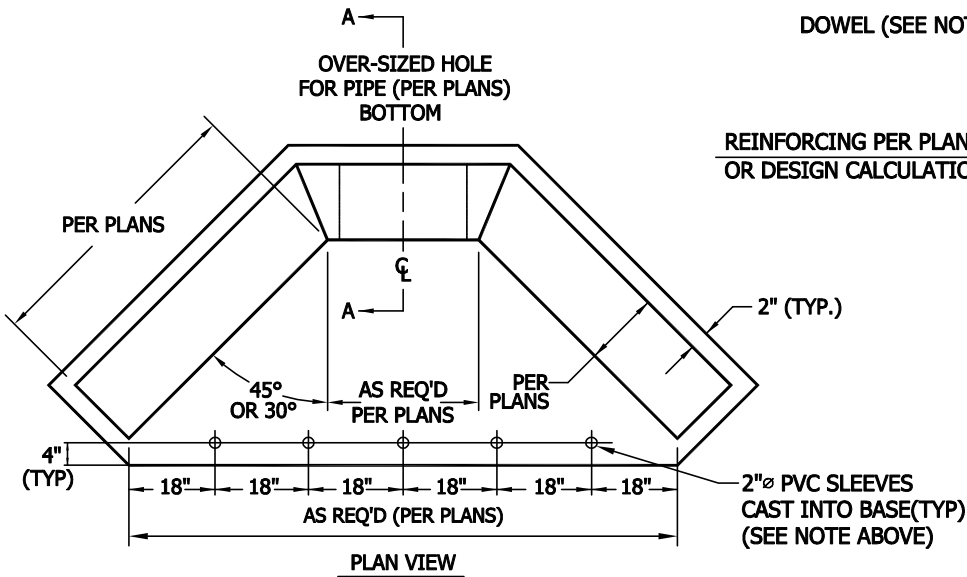


CONTRACTOR: \_\_\_\_\_

PROJECT: \_\_\_\_\_



**NOTE:**  
 2"Ø PVC SLEEVES SHALL BE CAST INTO THE BASE OF THE WINGWALL AND TO BE USED AS GUIDES FOR DRILLING AND DOWELLING (#4 BARS) INTO THE SEPARATE TOE WALL (6" DEEP) BY CONTRACTOR IN THE FIELD. DOWEL BARS TO BE SUPPLIED AND INSTALLED BY CONTRACTOR IN THE FIELD.



- NOTES:**
1. CONCRETE TO TEST 4,000 PSI AT 28 DAYS.
  2. REINFORCING STEEL PER ASTM A615, GRADE 60.
  3. HANDRUBBING, IF REQUIRED, TO BE DONE BY THE CONTRACTOR IN THE FIELD.
  4. CONTRACTOR TO SECURELY MORTAR PIPE INTO PLACE IN THE FIELD.
  5. CONTRACTOR TO USE NON-SHRINK GROUT BETWEEN THE BASE AND THE TOE WALL AND TO FILL 2" SLEEVES.
  6. EXPOSED EDGES TO BE CHAMFERED 1"x45°

	7 Ruscitti Road New Windsor, New York, 12553 www.arconcrete.com 845-562-0640	
	<b>PRECAST CONCRETE HEADWALL/HEADWALL DRAWING</b>	
DATE:	DWN BY: <b>A&amp;R LLC</b>	DWG. NO.