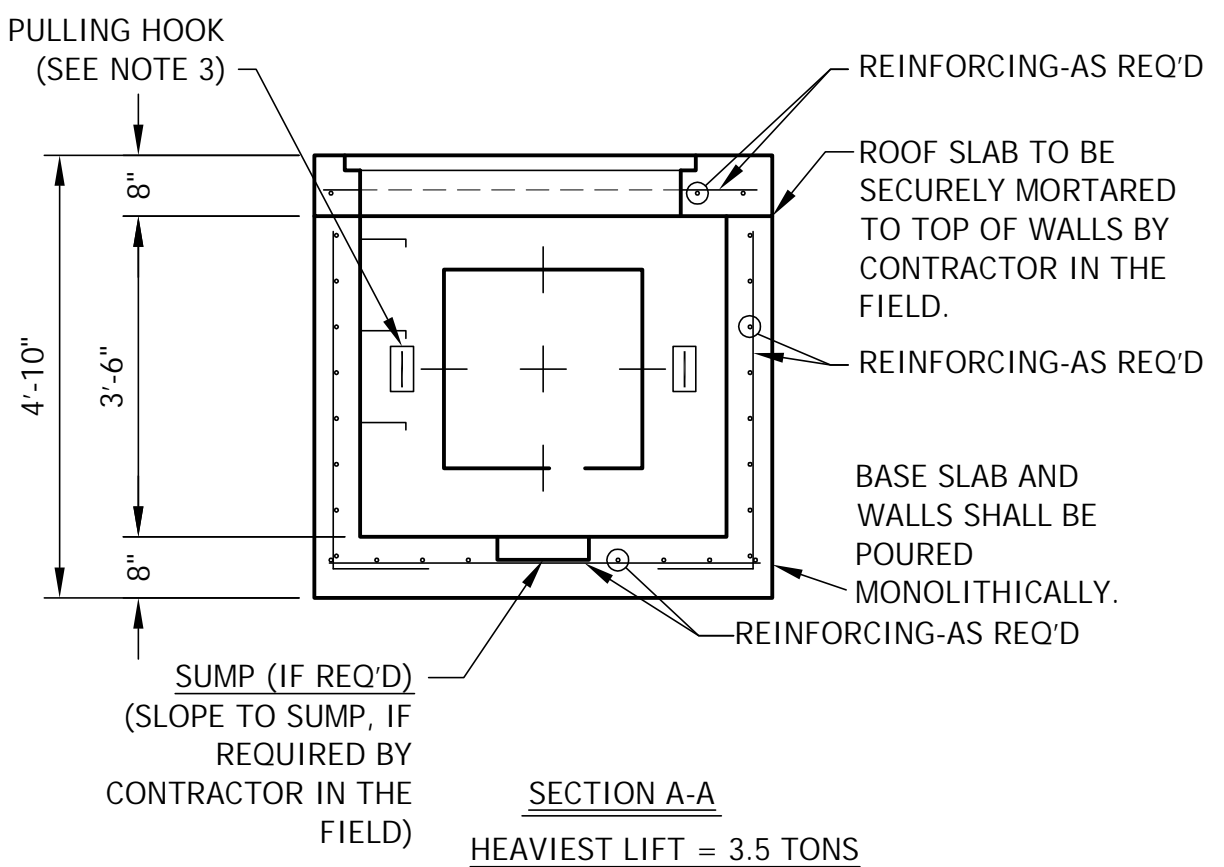
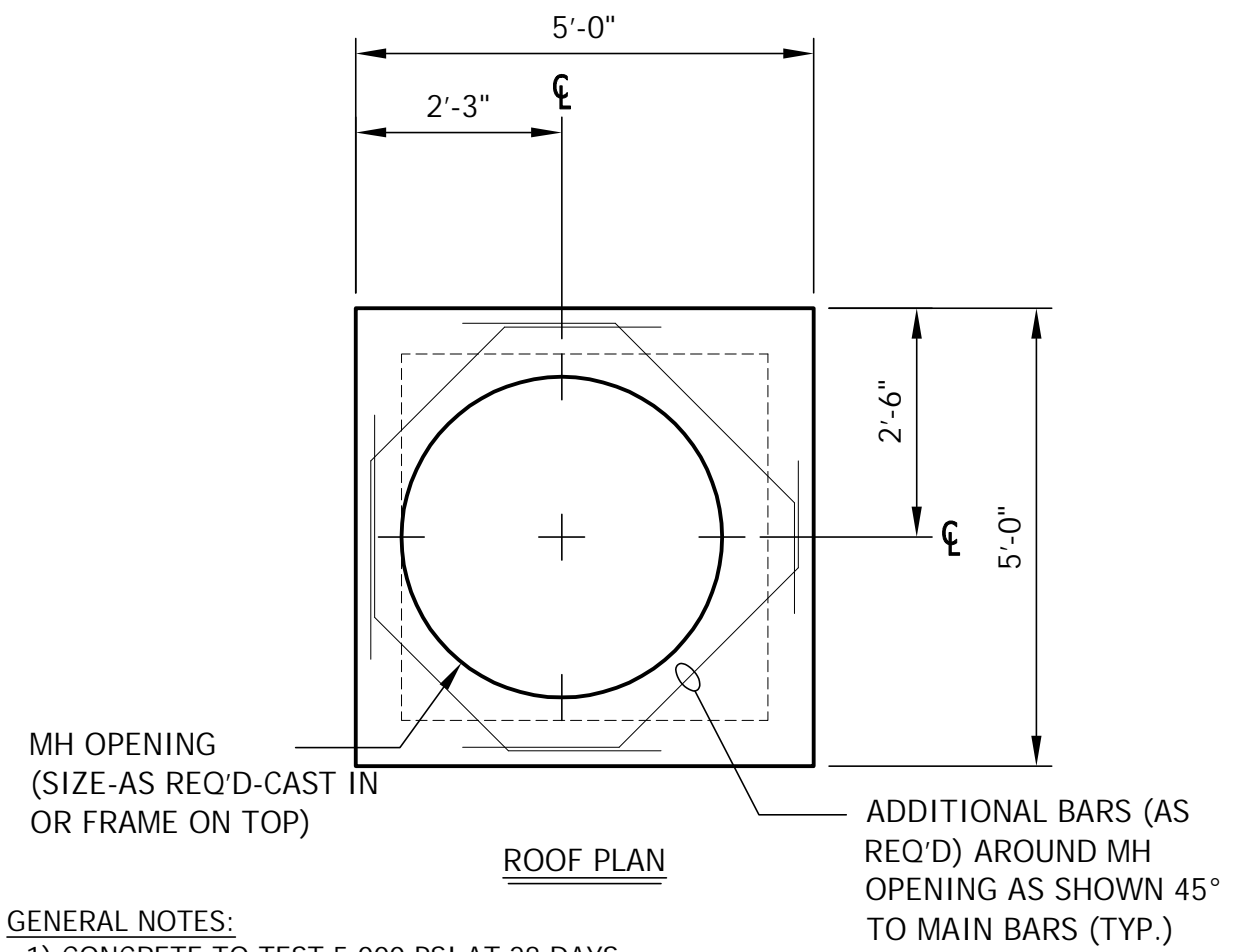


PLAN VIEW



SECTION A-A
HEAVIEST LIFT = 3.5 TONS



ROOF PLAN

GENERAL NOTES:

- 1) CONCRETE TO TEST 5,000 PSI AT 28 DAYS.
- 2) REINFORCING STEEL PER ASTM A615, GRADE 60 - BLACK BARS.
- 3) CONCRETE AND REINFORCING STEEL ARE DESIGNED TO WITHSTAND AASHTO HS-20 LOADING.
- 4) RECESSED PULLING HOOKS (QTY. AS REQ'D) SHALL BE ASTM A36 STEEL, HOT DIPPED GALVANIZED IN ACCORDANCE WITH ASTM 153. STEEL SHALL BE CAST INTO THE WALLS BY A&R.
- 5) MANHOLE FRAME & COVER TO BE SUPPLIED BY CONTRACTOR AND CAST IN TO ROOF BY A&R.
- 6) CABLE RACKS, GROUND WIRE & GROUND ROD TO BE SUPPLIED AND INSTALLED BY CONTRACTOR IN THE FIELD.



7 Ruscitti Road
New Windsor, New York, 12553
www.arconcrete.com
845-562-0640

PRECAST CONCRETE ELECTRIC PULL BOX
(ID 4'-0" x 4'-0")

CONTRACTOR:

| | |
|-----------|---------|
| DATE: | 9/22/16 |
| REV.: | |
| DWN.BY: | A&R LLC |
| DWG. NO.: | EPB |