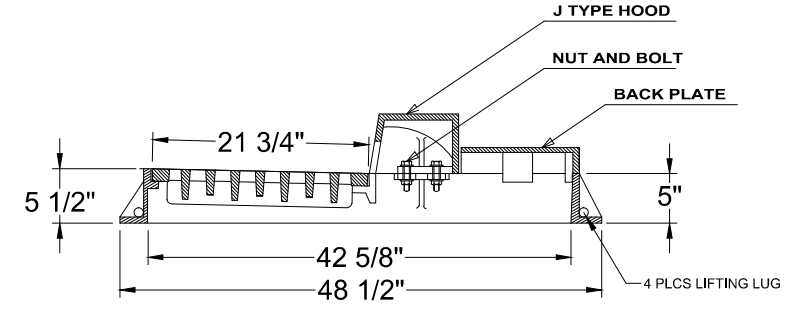


SECTION A-A'



SECTION B-B

NOTES :			
		2548 CURB INLET & 6" 'J' TYPE HOOD WITH BACK PLATE	
MATERIAL : Cast Iron ASTM A48 , CLASS 30B.		MODEL NO.	ACI2548BPG6 'J' TYPE HOOD
DOCUMENT APPROVED BY :                      DATE :	DWNG DATE : 05/12/2016	LOAD RATING	H - 20
	CHKD DATE : 05/12/2016	REVISION 1 - DATE	REV
		REVISION 2 - DATE	
TOLERANCE XX ±0.1 XXX ±0.06 XXXX ±0.030 < ±2 DEG			