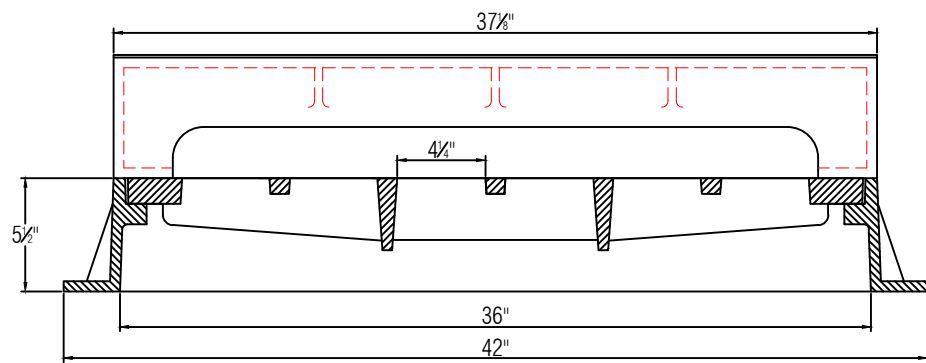


SECTION B-B



SECTION A-A'

Model No.	ACI2540BPG6 - 2540 FRAME AND GRATE WITH 6" J HOOD
Material	Conforms to ASTM A48 CLASS 30B specification.
Load Rating	For A.A.S.H.T.O. & HS 20-44 Highway loading.