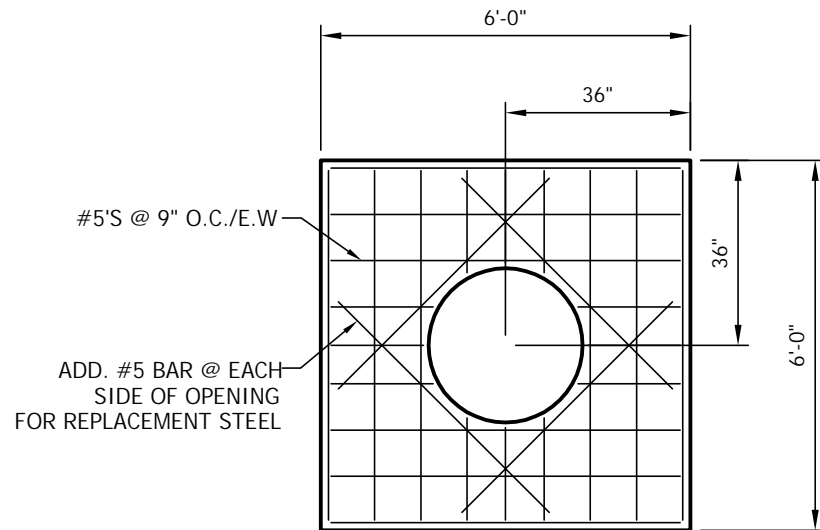


ROOF PLAN
(TYPE 2 COVER)



ROOF PLAN
(TYPE 1 MANHOLE COVER)

GENERAL NOTES:

1. CONCRETE TO TEST 4,000 PSI AT 28 DAYS.
2. REINFORCING STEEL PER ASTM A615, GRADE 60 FOR REBAR AND PER ASTM A185 FOR WELDED WIRE FABRIC(W.W.F.).
3. KNOCKOUT OPENINGS TO BE 4" DEEP, LEAVING A 2" CONCRETE "SKIN".



7 Ruscitti Road
New Windsor, New York, 12553
www.arconcrete.com
845-562-0640

<p>CENTRAL HUDSON PRECAST CONCRETE TRANSFORMER (ROOF OPTIONS)</p>	DATE: 5/14/2018
	REV.:
	DWN. BY: A&R LLC
	DWG. NO.: AR-CenHudTMH500R1
CONTRACTOR: CENTRAL HUDSON	