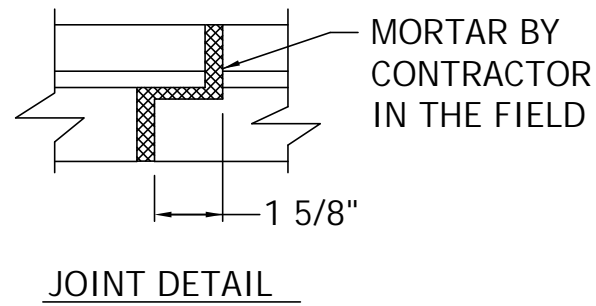
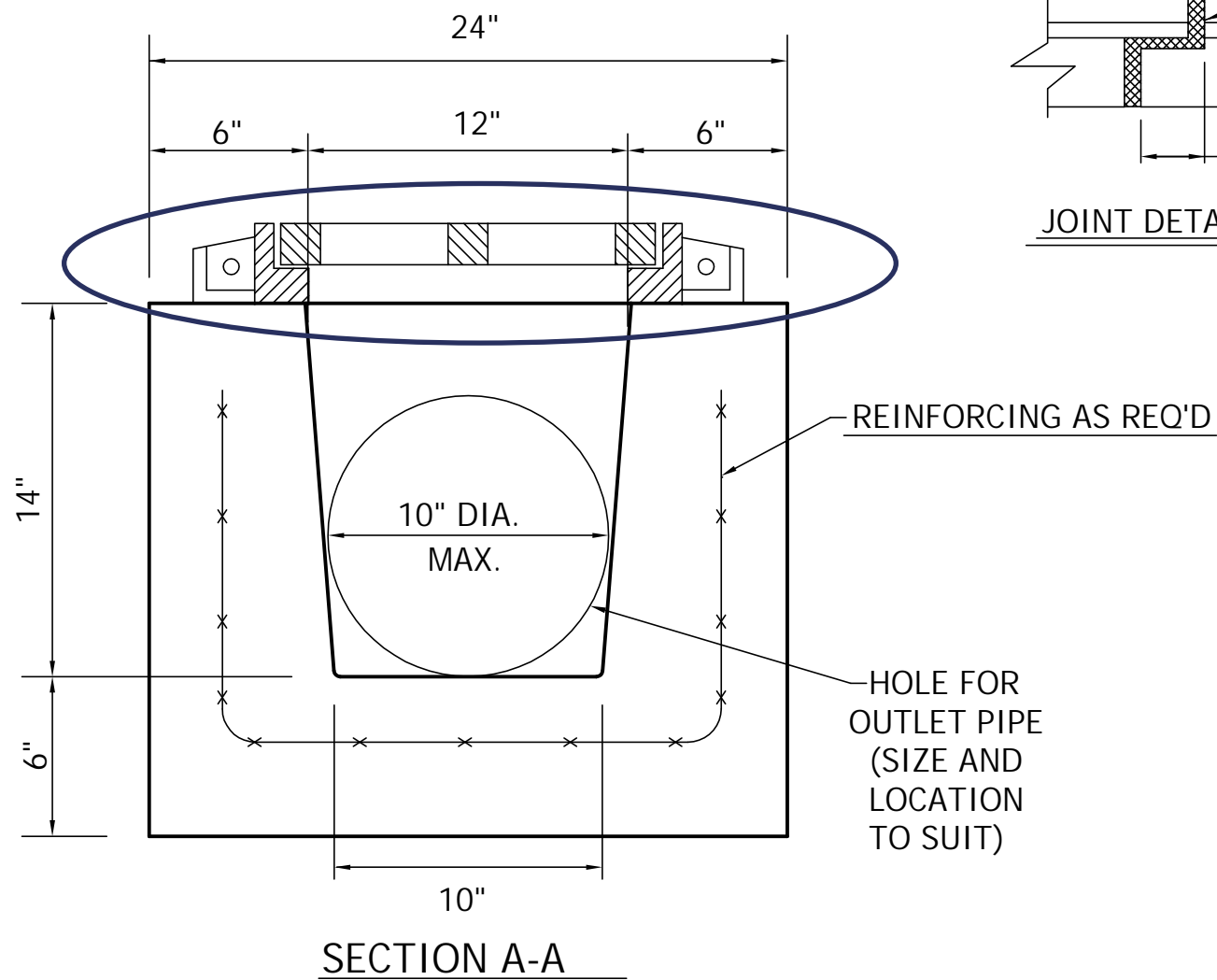


**PLEASE NOTE:**  
 FRAME CAN BE PLACED ON TOP OF WALLS  
 OR CAST IN (EMBEDDED) INTO WALLS



**NOTE:**  
 TRENCH DRAIN FRAMES AND GRATES TO BE SUPPLIED BY THE CONTRACTOR OR BY A&R CONCRETE UPON REQUEST  
 FRAMES & GRATES TO BE INSTALLED ON TOP OF WALLS BY THE CONTRACTOR IN THE FIELD.



7 Ruscitti Road  
 New Windsor, New York, 12553  
 www.arconcrete.com  
 845-562-0640

12" WIDE TRENCH (TAPERED WALLS)	DATE:
	REV.:
CONTRACTOR:	DWN.BY: AR LLC
	DWG. NO.: